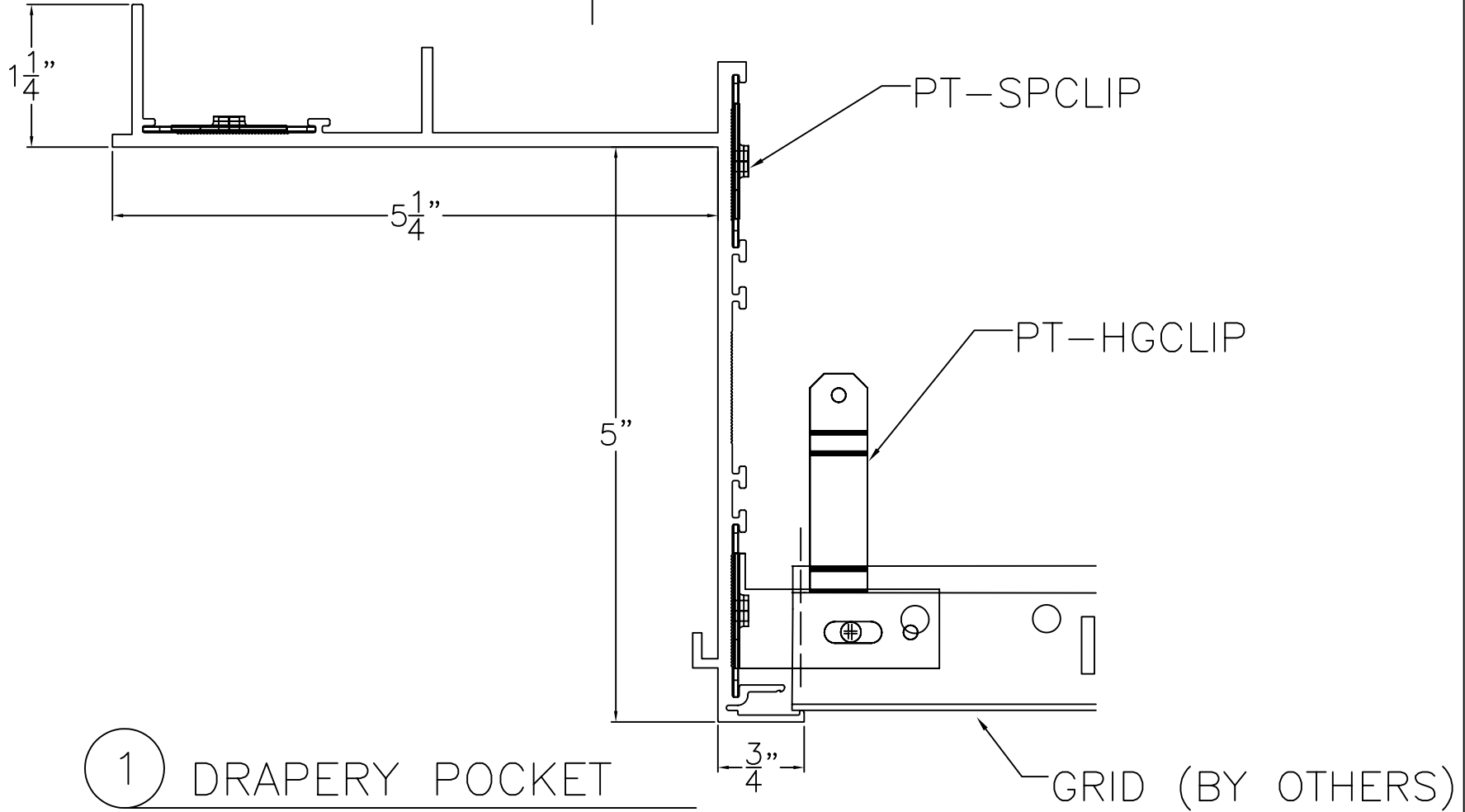


| REVISIONS |     |             |      |          |
|-----------|-----|-------------|------|----------|
| ZONE      | REV | DESCRIPTION | DATE | APPROVED |



① DRAPERY POCKET  
NTS

ALL INFORMATION AND SPECIFICATIONS CONTAINED IN THIS DRAWING ARE THE SOLE PROPERTY OF PITCON INDUSTRIES AND MAY NOT BE COPIED OR REPRODUCED WITHOUT PERMISSION.

**Pitcon Industries**

6409 Rhode Island Av.  
Riverdale, MD 20737  
301-927-1000  
FAX 699-8690

5" DRAPERY POCKET

|           |          |                     |          |
|-----------|----------|---------------------|----------|
| SIZE<br>A | FSCM NO. | DWG NO.<br>DP500500 | REV<br>— |
| SCALE NTS |          | SHEET 1             |          |