

SBR-225-050

WALL BUMPER RAIL

SAMPLE SPECIFICATION

specify as: SOFTFORMS® Model # SBR-225-050

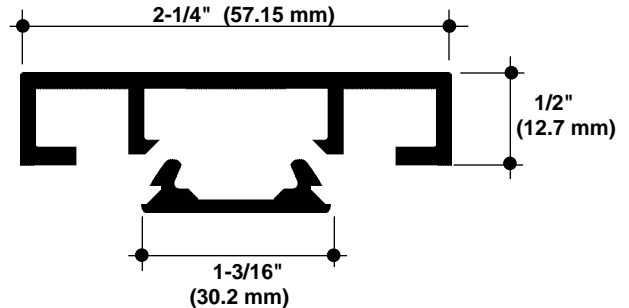
Pittcon SOFTFORMS® LLC

6409 Rhode Island Avenue
Riverdale, MD 20737
(800) 637-7638
(301) 927-1000
Fax: (301) 699-8690

3330 W. Flower Street
Phoenix, AZ 85017
(800) 637-7638
(602) 233-9100
Fax: (602) 233-9400

The extruded aluminum profile shall be a nominal thickness of .050" at the exposed portion and shall incorporate a continuous integral angle to mate with extended mounting clip.

MATERIAL: Aluminum alloy.....6063 T5 or equal
Finish.....Mill



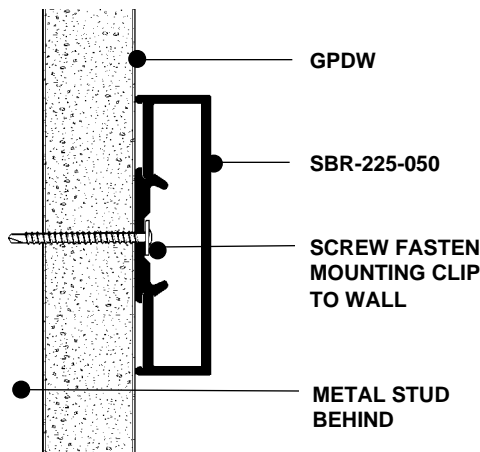
SBR-225-050
NO SCALE

WALL BUMPER RAIL
SECTION

EXAMPLE DETAIL

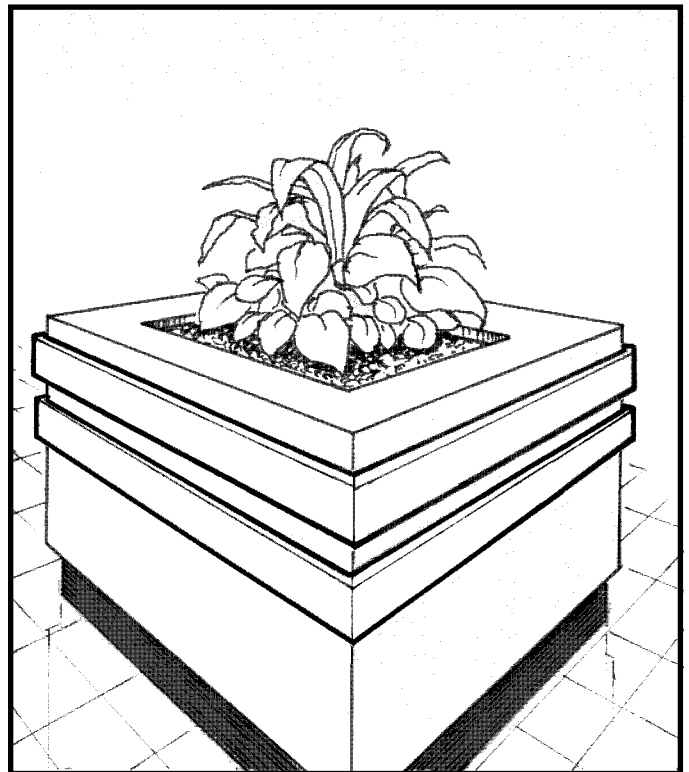
For use with conventional metal stud construction with 1/2" or 5/8" GPDW sheets.

The SBR-225-050 Bumper Rail is a decorative accent piece that can be used to protect wall surfaces from mar and abrasion, or as a strictly decorative feature to offset changes in wall colors, etc. It is available in a wide variety of finishes, painted in high gloss or matte finishes, and anodized in a variety of colors. Please check with factory or your local Pittcon sales representative for details.



SBR-225-050
NO SCALE

WALL BUMPER RAIL
SECTION



All details, methods and specifications are the exclusive property of Pittcon Softforms® LLC. Pittcon reserves the right to change any specifications or details without prior notification. All Softforms® profiles are available in standard 10' lengths $\pm 1/8"$ (2.048 M). Other lengths are available as special order items. For custom shapes, sizes, or for special finishes, please contact the factory or your nearest Pittcon sales representative.

© 2008 Pittcon SOFTFORMS® LLC.

Softforms

PREFORMED ARCHITECTURAL PROFILES
FOR DRYWALL CONSTRUCTION

SR 25