

SWR-050-HT

HANGING TRACK

SAMPLE SPECIFICATION

specify as: SOFTFORMS® Model # SWR-050-HT

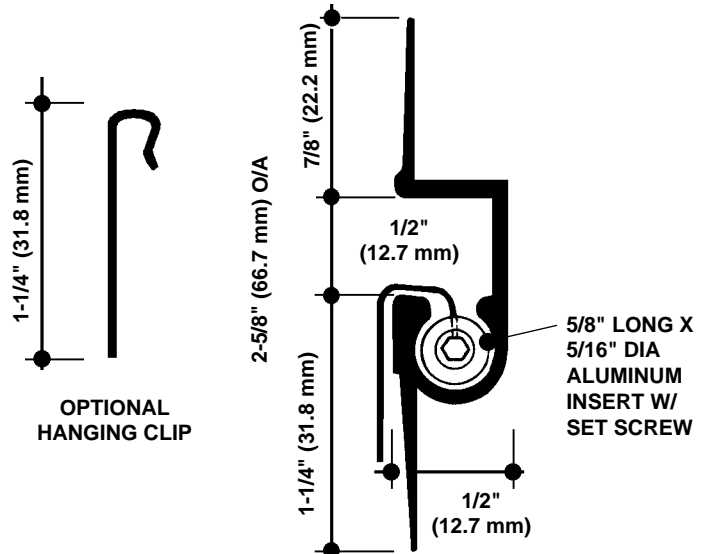
Pittcon SOFTFORMS® LLC

6409 Rhode Island Avenue
Riverdale, MD 20737
(800) 637-7638
(301) 927-1000
Fax: (301) 699-8690

3330 W. Flower Street
Phoenix, AZ 85017
(800) 637-7638
(602) 233-9100
Fax: (602) 233-9400

The extruded aluminum profile shall incorporate a continuous integral fin for surface contact to conventionally installed gypsum drywall. The fins shall be 7/8" wide and shall be tapered to the edge. The tapered fins shall be punched with holes staggered to accept standard screw fastening. A series of continuous grooves shall be extruded into the face of the fins to provide greater bonding surface. The extruded profiles shall be primed with corrosion-resistant primer compatible with materials normally in use in conjunction with commercial interiors, i.e.: joint compound, latex and enamel paints, and wall covering adhesives.

MATERIAL: Aluminum alloy.....6063 T5 or equal
Finish.....Factory primed



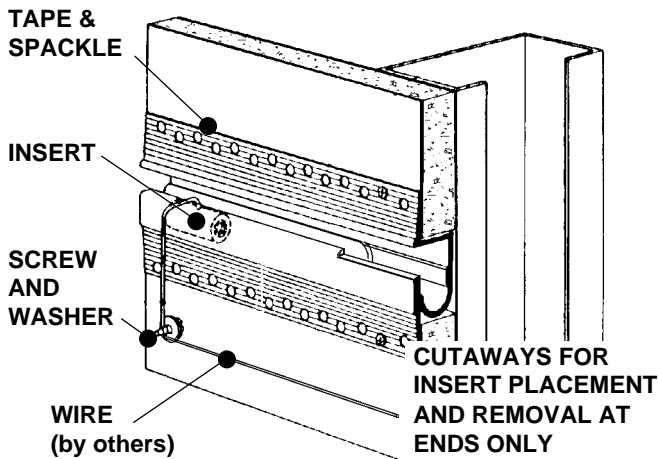
NOTE:
FLEXIBLE WIRE
HANGER BY OTHERS

SECTION SWR-050-HT HANGING TRACK
NO SCALE W/ ALUMINUM INSERT

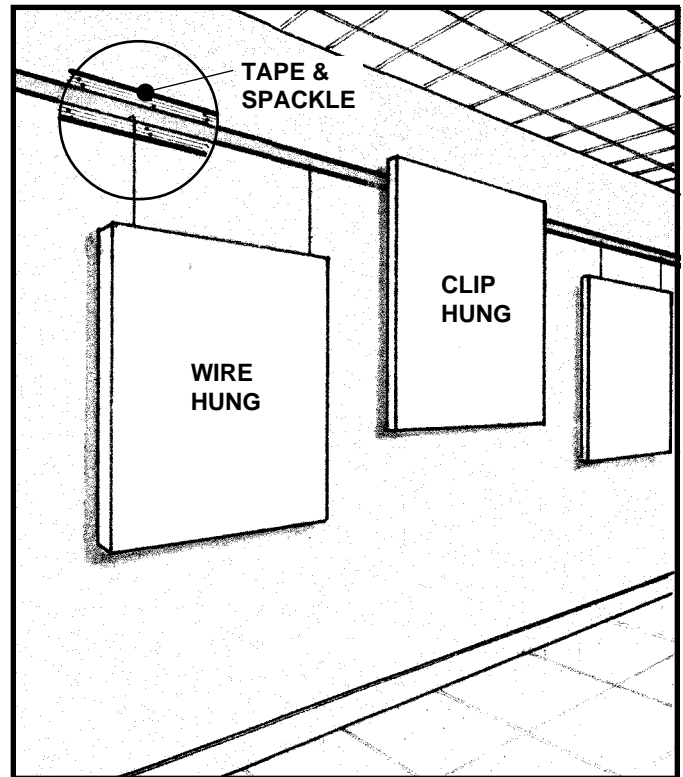
EXAMPLE DETAIL

For use with conventional metal stud construction with 1/2" or 5/8" GPDW sheets.

The SWR-050-HT may be installed on single thickness GPDW with it may require horizontal bracing between studs for heavy load conditions. Screws through the grooved fins must always engage with metal or wood substructure including horizontal bracing to insure proper installation.



SWR-050-HT WITH STUD WALL
NO SCALE PERSPECTIVE



All details, methods and specifications are the exclusive property of Pittcon Softforms® LLC. Pittcon reserves the right to change any specifications or details without prior notification. All Softforms® profiles are available in standard 10' lengths ± 1/8" (2.048 M). Other lengths are available as special order items. For custom shapes, sizes, or for special finishes, please contact the factory or your nearest Pittcon sales representative.

© 2008 Pittcon SOFTFORMS® LLC.

Softforms

PREFORMED ARCHITECTURAL PROFILES
FOR DRYWALL CONSTRUCTION

SR 15