

# JDM SERIES

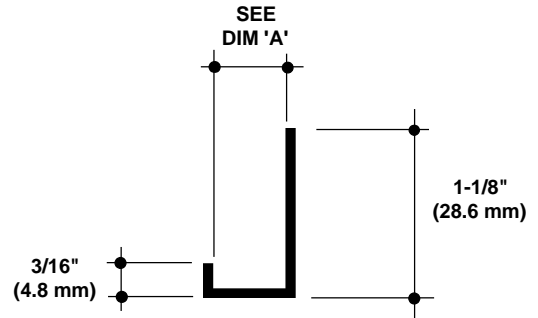
## 'J' MOLD

Specify as: Pittcon Plaster Molding

Model No. JDM-xx

MATERIAL: Aluminum alloy.....6063 T5  
 Finish.....Clear Anodized  
 Thickness......050" nominal

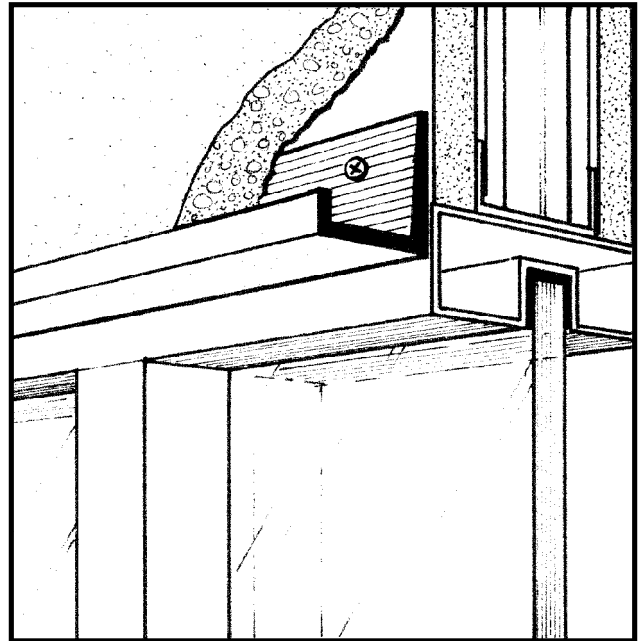
Many optional finishes are available. Consult factory for pricing and availability. Finishes meet or exceed AAMA standards for scratches or blemishes.



NO SCALE

TYPICAL SECTION

Model No.	Depth-Dim 'A'
JDM-50	1/2" (12.7mm)
JDM-625	5/8" (15.9mm)



© 2008 Pittcon Industries



2090 Del Rio Way, Unit B  
 Ontario, CA 91761  
 Phone: (909) 773-0001  
 Fax: (909) 773-0091

3330 W. Flower Street  
 Phoenix, AZ 85017  
 Phone: (602) 233-9100  
 Fax: (602) 233-9400

**Pittcon Industries**  
 DIVISION OF PITTCOON ARCHITECTURAL METALS, LLC  
 800 637-7638



6409 Rhode Island Ave.  
 Riverdale, MD 20737  
 Phone: (301) 927-1000  
 Fax: (301) 699-8690