

LP-700-800

CUSTOM LIGHT POCKET 7" X 8"

FOR ACOUSTICAL CEILING TILES

SAMPLE SPECIFICATION

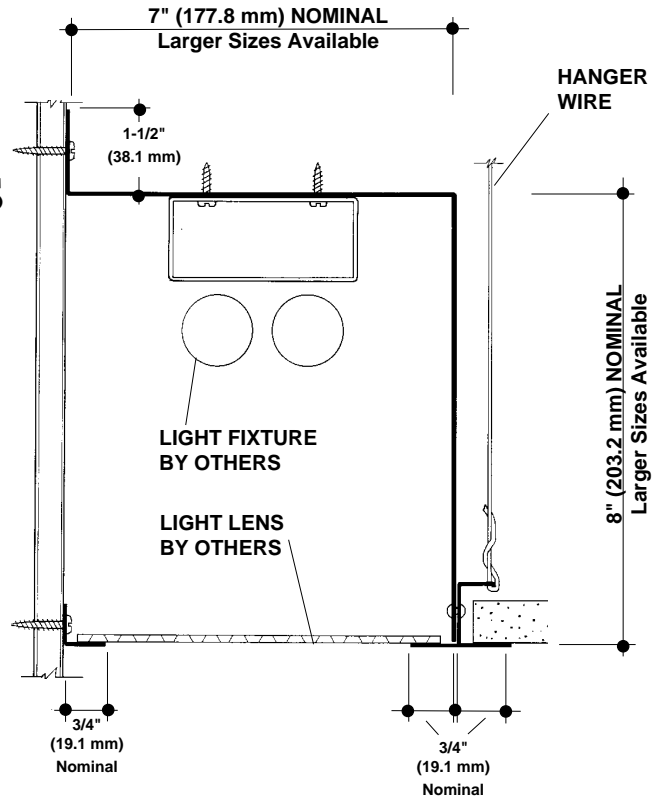
specify as: SOFTFORMS® Model # LP-700-800

Pittcon Industries Division Pittcon Custom Corp.
 6409 Rhode Island Avenue 3330 W. Flower Street
 Riverdale, MD 20737 Phoenix, AZ 85017
 (800) 637-7638 (800) 637-7638
 (301) 927-1000 (602) 233-9100
 Fax: (301) 699-8690 Fax: (602) 233-9400

The formed steel profile shall incorporate a continuous integral fin for surface contact to conventionally installed gypsum drywall. The interior surface of the formed profile shall be factory finished in white semi-gloss enamel for purposes of reflectivity.

Material.....20ga painted steel typical
 Finish.....White semi-gloss enamel

Note:
 Other materials and finishes are available upon request, with some restrictions applying. Check with factory or your local Pittcon Sales Representative for your needs.

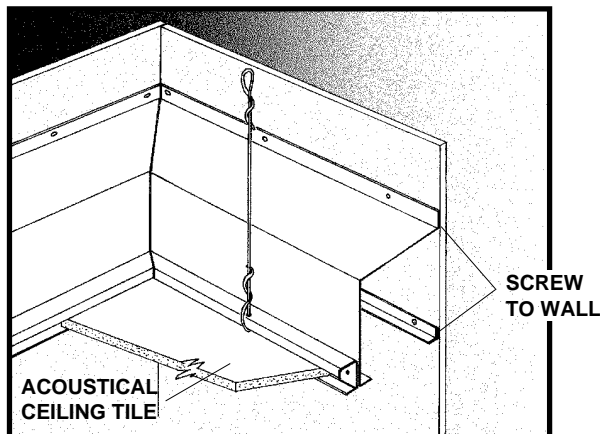


LP-700-800 LIGHT POCKET
NO SCALE SECTION

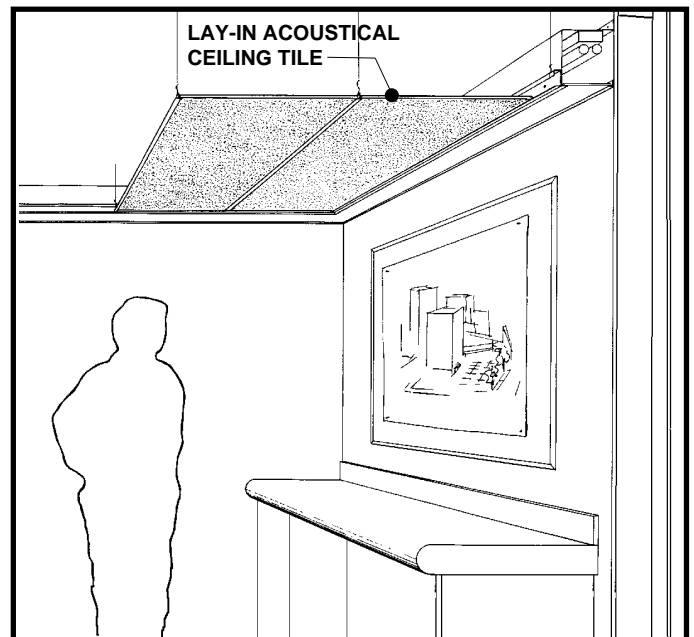
EXAMPLE DETAIL

For use with 1/2" or 5/8" GPDW walls and lay-in acoustical ceiling tiles.

The LP-700-800 provides a light pocket housing for perimeter down lighting. The components are fastened to the walls so as to align with the acoustical tile ceiling. Wire hangers attached to the tile support help secure the housing. A flange provides a support lip for the lay-in acoustical tile. Screws through the installation fins must always engage with metal or wood substructure to ensure proper installation.



LP-700-800 CORNER DETAIL
NO SCALE PERSPECTIVE



LP-700-800 WITH LAY-IN TILE CEILING
NO SCALE PERSPECTIVE

All details, methods and specifications are the exclusive property of Pittcon Industries, Division of Pittcon Custom Corporation. Pittcon reserves the right to change any specifications or details without prior notification. All custom profiles are available in standard 10' lengths ±1/8" (2.048 M). Other lengths are available as special order items. For custom shapes, sizes, or for special finishes, please contact the factory or your nearest Pittcon sales representative.