

# PT-10

## PERIMETER TRIMS

Specify as: SOFTFORMS® Perimeter Trim

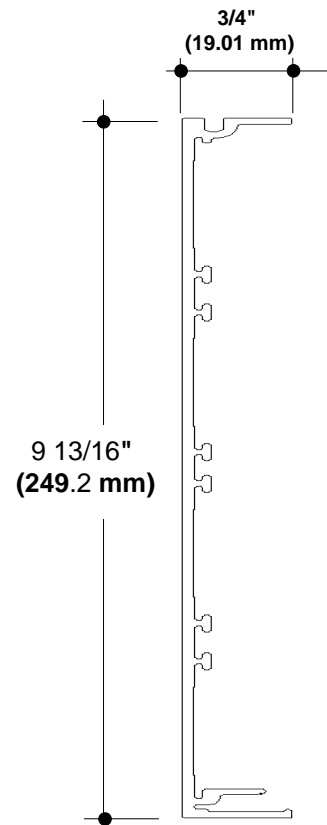
Model No. PT-10

MATERIAL: Aluminum alloy.....6063 T5 or equal  
Finish..... Pittcon White

The extruded aluminum profile shall incorporate a continuous integral fin top and bottom for surface contact to conventionally installed acoustical ceiling tiles, or a separate flange for attachment to gypsum drywall. The fins shall be 3/4" wide and shall be untapered to the edge.

Two or more areas shall be incorporated into the back of each extrusion, with a series of continuous extruded grooves to provide a greater bonding surface for joinery.

The extruded profiles shall be factory painted standard Pittcon White.



**TYPICAL SECTION** **Perimeter Trim**  
**NO SCALE**

### SELECTING YOUR PROFILE FROM THE SOFTFORMS® PT SERIES OF ALUMINUM EXTRUSIONS

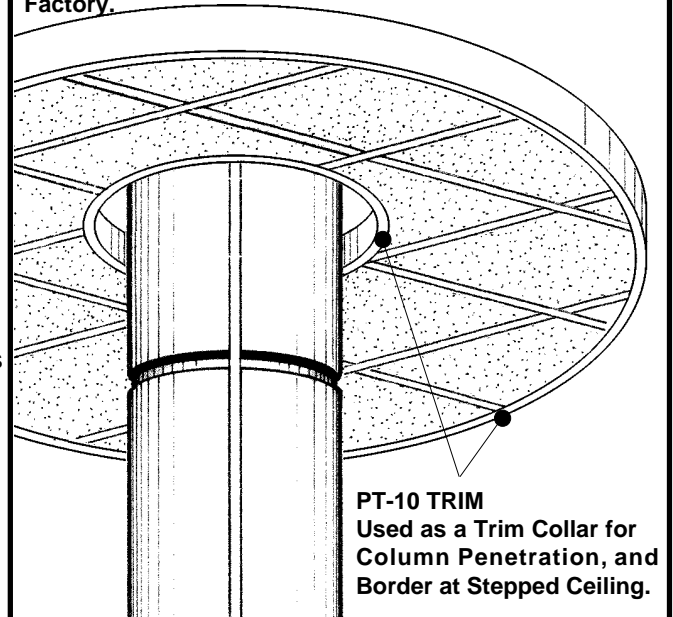
PT Model	Height at Face	Minimum Radii
PT-10	9-13/16" (249.2 mm)	24" <i>Single Radius</i>

### Optional Factory Finishes

- Face clad with mirror finish stainless steel
- Face clad with matte or high gloss plastic laminate finishes
- Face clad with Belbien® Vinyl laminate finishes
- Face clad with finished or unfinished wood veneers
- Painted in a high gloss polyurethane finish
- Painted in a Corafon® fluoropolymer finish
- Clear satin, bronze, or black anodized finish
- Primed finish for field painting

Corafon® is a registered trademark of PPG Industries, Inc.

**PT-10 Radiused Trim Available in Inside and Outside Radii.  
Can be Combined to Form Serpentine Shapes.  
Minimum Radii Dependent on Trim Model. Consult  
Factory.**



© 2008 Pittcon Industries

**West**

3330 W. Flower Street  
Phoenix, AZ 85017  
Phone: (602) 233-9100  
Fax: (602) 233-9400

**Pittcon  
Industries**  
DIVISION OF PITTCO ARCHITECTURAL METALS, LLC  
**800 637-7638**

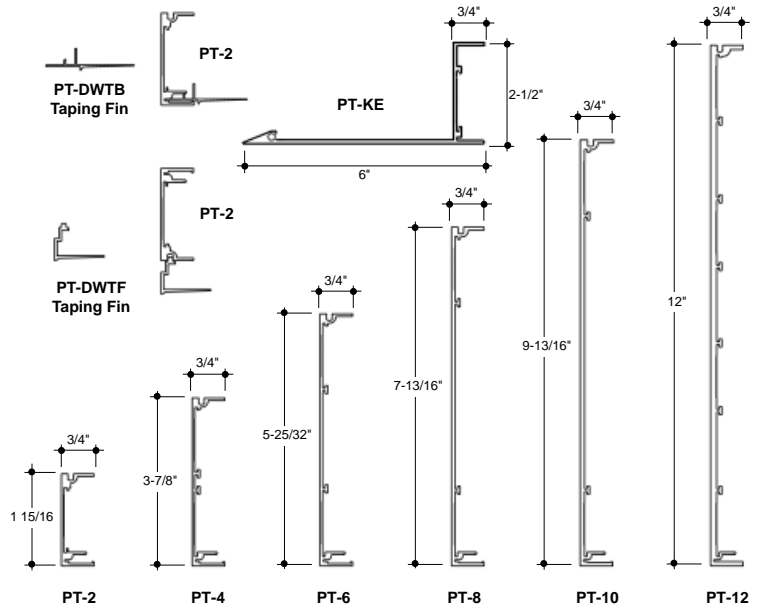
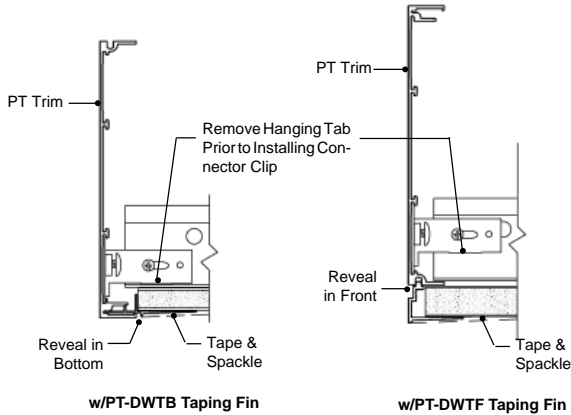
**East**

6409 Rhode Island Ave.  
Riverdale, MD 20737  
Phone: (301) 927-1000  
Fax: (301) 699-8690

# PT SERIES

## PERIMETER TRIMS

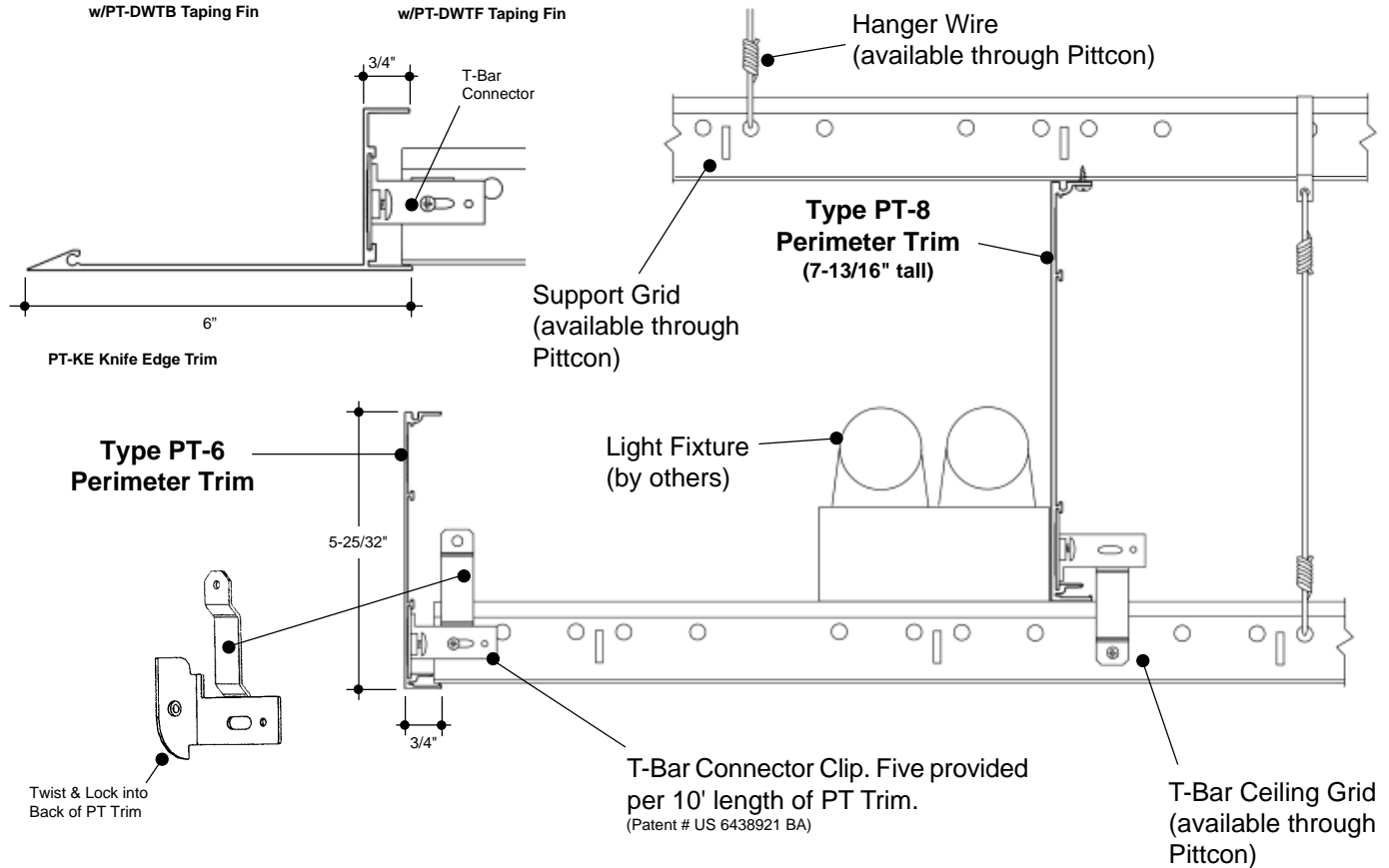
An extruded aluminum perimeter trim offering flexible design and ease of installation. PT TRIMS can be used with acoustical or drywall ceilings, and are compatible with all major exposed grid systems. Create height transitions in your ceiling with custom serpentine, convex, or concave configurations, or as a lighting cove in conjunction with recessed lighting, and Pittcon's own series of CC-1-TF ceiling covers.



### PT SERIES PROFILES

NO SCALE

SECTIONS



**Pittcon Industries** Division Pittcon Architectural Metals, LLC  
 6409 Rhode Island Avenue      3330 W. Flower Street  
 Riverdale, Maryland 20737      Phoenix, Arizona 85017  
 (800) 637-7638 , (301) 927-1000      (800) 637-7638 , (602) 233-9100  
 Fax: (301) 699-8690      Fax: (602) 233-9400

© 2008 Pittcon Industries

Fabricated with Pride in

Riverdale, Maryland-U.S.A.