

# PT-KE

## KNIFE EDGE PERIMETER TRIM

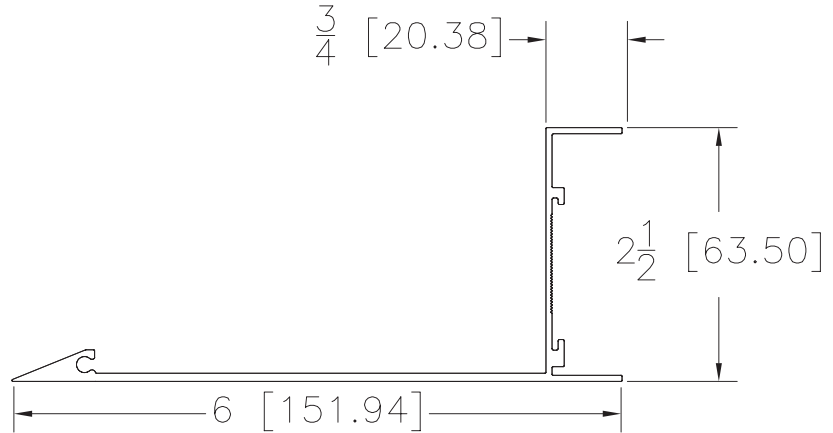
### SAMPLE SPECIFICATION

specify as: SOFTFORMS® Model # PT-KE

### Pittcon SOFTFORMS® LLC

6409 Rhode Island Avenue  
Riverdale, MD 20737  
(800) 637-7638  
(301) 927-1000  
Fax: (301) 699-8690

3330 W. Flower Street  
Phoenix, AZ 85017  
(800) 637-7638  
(602) 233-9100  
Fax: (602) 233-9400



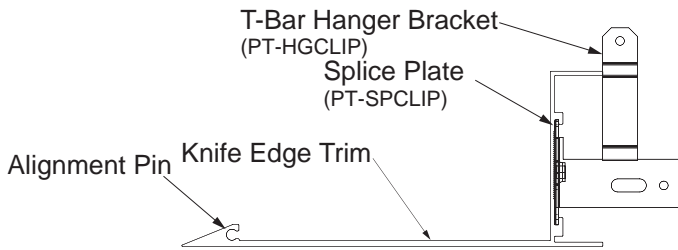
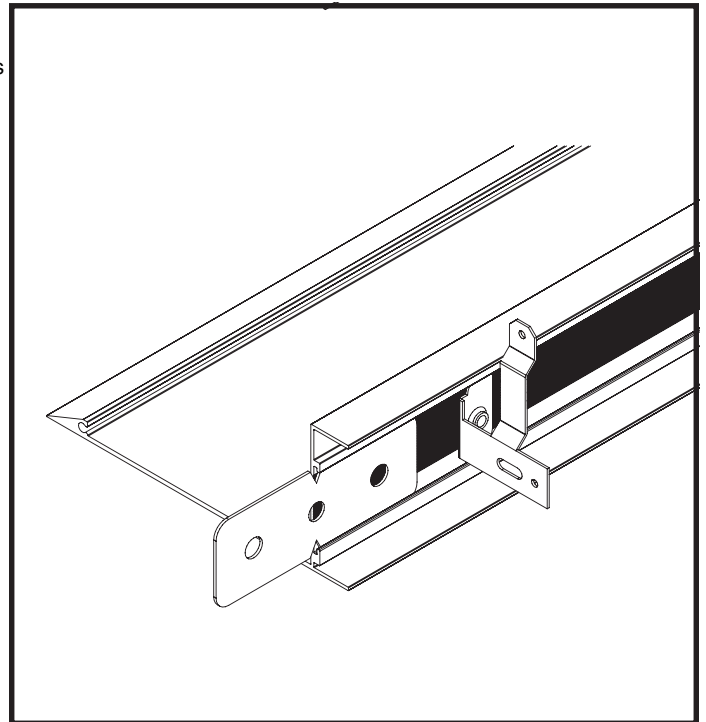
MATERIAL: Aluminum alloy.....6063 T5 or equal  
Finish.....Ceiling White  
Custom Colors available upon Request

SECTION PT-KE KNIFE EDGE PERIMETER TRIM  
NO SCALE

### EXAMPLE DETAIL

For use with conventional Acoustical Ceiling Grid.

The PT-KE will permit construction fine edged Perimeter Trim. This provides a clean look to any wall edge or "Cloud" application.



PT-KE  
NO SCALE

All details, methods and specifications are the exclusive property of Pittcon Softforms®, LLC. Pittcon reserves the right to change any specifications or details without prior notification. All Softforms® profiles are available in standard 10' lengths ±1/8" (2.048 M). Other lengths are available as special order items. For custom shapes, sizes, or for special finishes, please contact the factory or your nearest Pittcon sales representative.

© 2004 Pittcon SOFTFORMS®, LLC

# Softforms®

PREFORMED ARCHITECTURAL PROFILES  
FOR DRYWALL CONSTRUCTION