

SCR-075-050

CEILING REVEAL 3/4"

SPECIFICATION

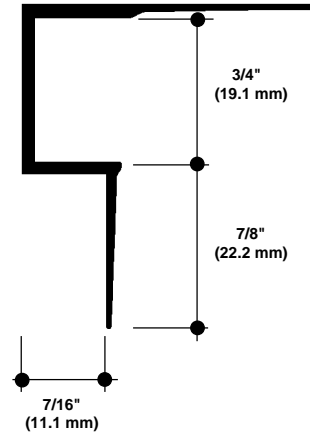
specify as: SOFTFORMS® Model # SCR-075-050

Specify as: Pittcon Drywall Molding

Model No.

MATERIAL: Aluminum alloy.....6063 T5 or equal
Finish.....Factory primed

The extruded aluminum profile shall incorporate a continuous integral fin for surface contact to conventionally installed gypsum drywall. The fins shall be 7/8" wide and shall be tapered to the edge. The tapered fins shall be punched with holes staggered to accept standard screw fastening. A series of continuous grooves shall be extruded into the face of the fins to provide greater bonding surface. The extruded profiles shall be primed with corrosion-resistant primer compatible with materials normally in use in conjunction with commercial interiors, i.e.: joint compound, latex and enamel paints, and wall covering adhesives.



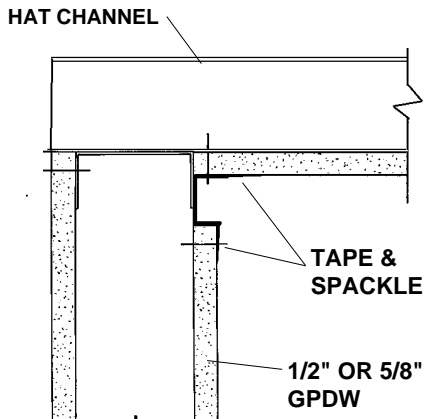
SCR-075-050
NO SCALE

3/4" CEILING REVEAL
SECTION

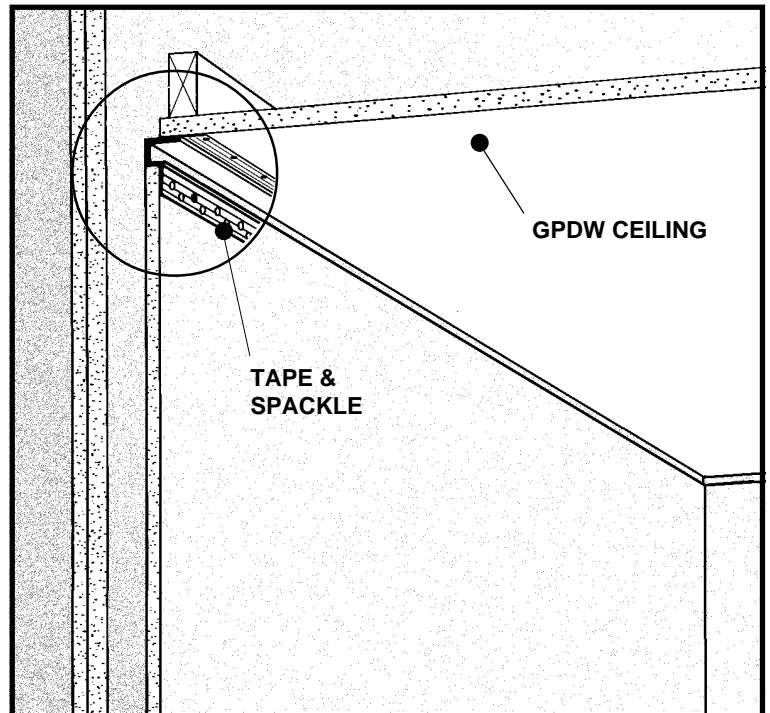
EXAMPLE DETAIL

For use with conventional metal stud construction with 1/2" or 5/8" GPDW sheets.

The SCR-075-050 ceiling reveal can be used to create a continuous horizontal reveal at the ceiling line. This provides the architect or interior designer an opportunity to add a unique decorative touch to an otherwise plain room decor. Screws through the extruded fins must always engage with metal or wood substructure to ensure proper installation.



SCR-075-050 CEILING CORNER REVEAL
NO SCALE SECTION



© 2008 Pittcon Industries

West

2090 Del Rio Way, Unit B
Ontario, CA 91761
Phone: (909) 773-0001
Fax: (909) 773-0091

3330 W. Flower Street
Phoenix, AZ 85017
Phone: (602) 233-9100
Fax: (602) 233-9400

**Pittcon
Industries**
DIVISION OF PITTCO ARCHITECTURAL METALS, LLC

800 637-7638

East

6409 Rhode Island Ave.
Riverdale, MD 20737
Phone: (301) 927-1000
Fax: (301) 699-8690