

# SWC SERIES ALUMINUM WALL CAPS

## SAMPLE SPECIFICATION

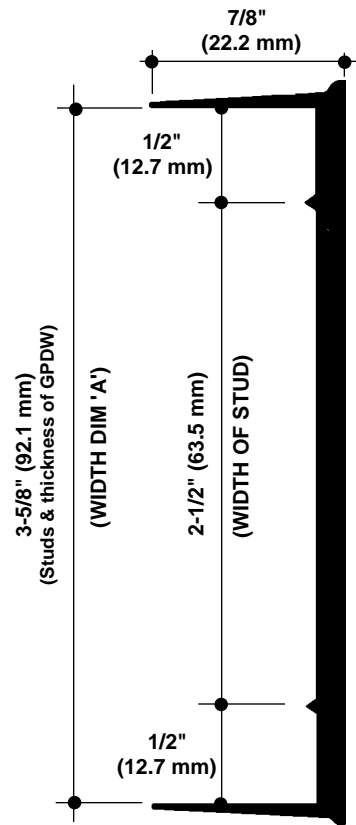
specify as: SOFTFORMS® Model # SWC-XXX-X

### Pittcon SOFTFORMS® LLC

6409 Rhode Island Avenue 3330 W. Flower Street  
 Riverdale, MD 20737 Phoenix, AZ 85017  
 (800) 637-7638 (800) 637-7638  
 (301) 927-1000 (602) 233-9100  
 Fax: (301) 699-8690 Fax: (602) 233-9400

The extruded aluminum profile shall incorporate a continuous integral fin for surface contact to conventionally installed gypsum drywall. The fins shall be 7/8" wide and shall be tapered to the edge. The tapered fins shall be punched with holes staggered to accept standard screw fastening. A series of continuous grooves shall be extruded into the face of the fins to provide greater bonding surface. The extruded profiles shall be primed with corrosion-resistant primer compatible with materials normally in use in conjunction with commercial interiors, i.e.: joint compound, latex and enamel paints, and wall covering adhesives.

MATERIAL: Aluminum alloy.....6063 T5 or equal  
 Finish.....Factory primed



**SWC- 212-2 (Shown)**  
**NO SCALE**

**WALL CAP  
 SECTION**

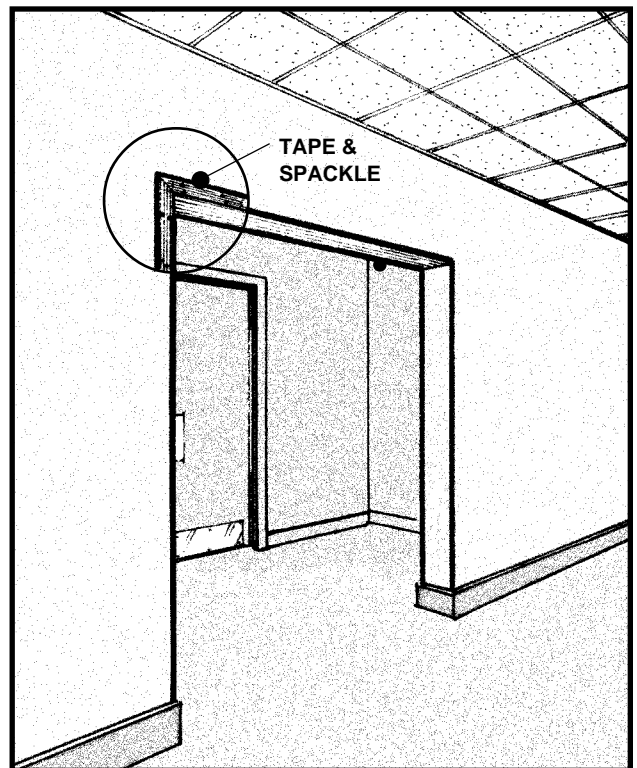
## SELECTING YOUR SOFTFORMS® SWC SERIES OF ALUMINUM WALL CAPS

Select proper SOFTFORMS wall caps from the information below.

SWC Model No.	WIDTH Dim 'A'	STUD & GPDW Requirements
SWC-212-2	3-5/8" (92.1 mm)	2-1/2" stud w/ 1/2" GPDW
SWC-212-8	3-7/8" (98.4 mm)	2-1/2" stud w/ 5/8" GPDW
SWC-358-2	4-5/8" (117.5 mm)	3-5/8" stud w/ 1/2" GPDW
SWC-358-8	5" (127.0 mm)	3-5/8" stud w/ 5/8" GPDW

### NOTE

Other custom sizes are also available. Check with factory for availability and lead time.

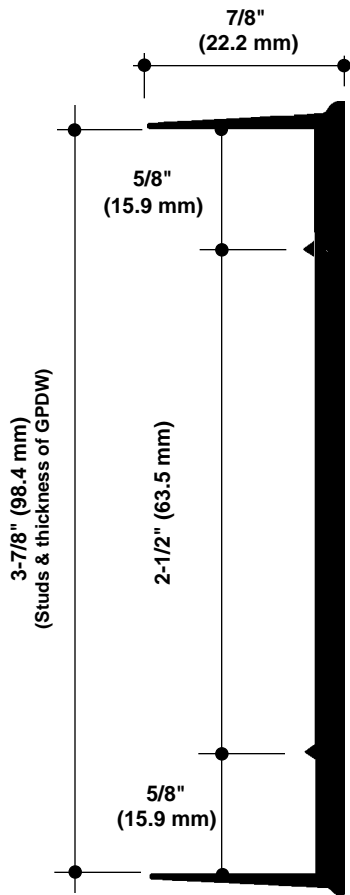


All details, methods and specifications are the exclusive property of Pittcon Softforms® LLC. Pittcon reserves the right to change any specifications or details without prior notification. All Softforms® profiles are available in standard 10' lengths ± 1/8" (2.048 M). Other lengths are available as special order items. For custom shapes, sizes, or for special finishes, please contact the factory or your nearest Pittcon sales representative.

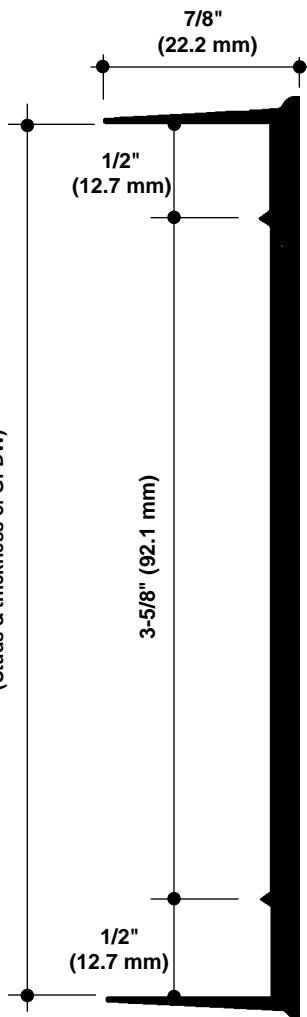
# SWC SERIES ALUMINUM WALL CAPS

## SELECTING YOUR SOFTFORMS® SWC SERIES OF ALUMINUM EXTRUSIONS

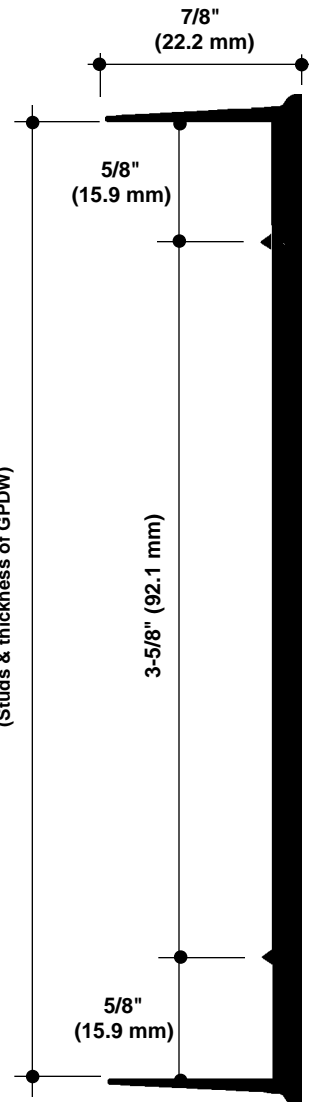
Select proper SOFTFORMS extrusion from the ordering information shown below.



SWC-212-8



SWC-358-2



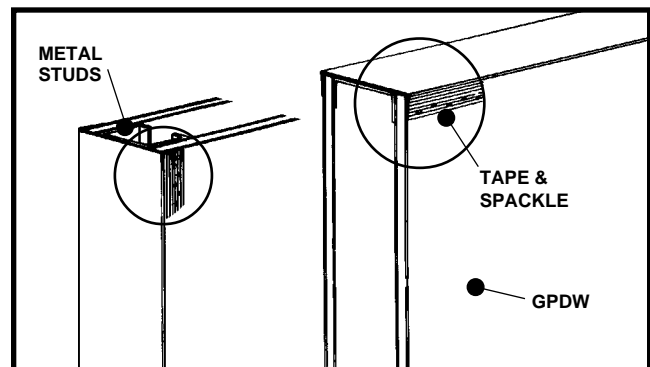
SWC-358-8

### SWC SERIES OF WALL CAPS NO SCALE

#### EXAMPLE DETAIL

For use with conventional metal stud construction and 1/2" or 5/8" GPDW.

The SWC SERIES is a line of extruded aluminum wall caps that permits the capping of gypsum divider walls. They can also be used to create a monolithic appearance to drywall at passageways or openings which require no other trim. This is especially useful in areas where high traffic and durability are a factor. Where required, a reveal can be added simply by specifying the use of the SWC-R SERIES, which is a custom brake-formed shape. Screws through the grooved fins must always engage with metal or wood substructure to ensure proper installation.



#### Pittcon SOFTFORMS® LLC

6409 Rhode Island Avenue  
Riverdale, MD 20737  
(800) 637-7638  
(301) 927-1000  
Fax: (301) 699-8690

3330 W. Flower Street  
Phoenix, AZ 85017  
(800) 637-7638  
(602) 233-9100  
Fax: (602) 233-9400

**Softforms**  
PREFORMED ARCHITECTURAL PROFILES  
FOR DRYWALL CONSTRUCTION