

SWR SERIES

WALL REVEALS

SAMPLE SPECIFICATION

specify as: SOFTFORMS®

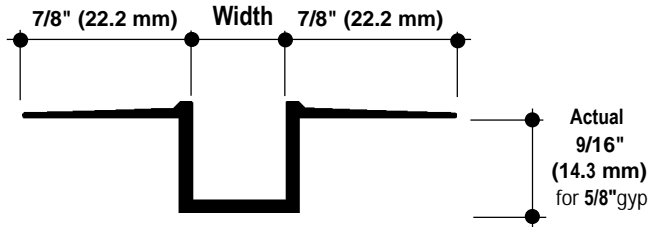
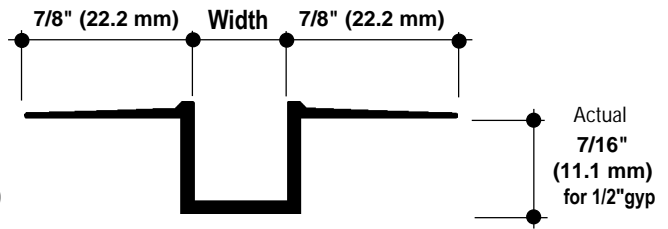
Model # SWR-XXX-XXX

Pitcon Industries

6409 Rhode Island Avenue
Riverdale, MD 20737
(800) 637-7638
(301) 927-1000
Fax: (301) 699-8690

7150 W Roosevelt St Unit B-139
Phoenix, AZ 85043
(800) 637-7638
(602) 233-9100
Fax: (602) 233-9400

The extruded aluminum profile shall incorporate a continuous integral fin for surface contact to conventionally installed gypsum drywall. The fins shall be 7/8" wide and shall be tapered to the edge. The tapered fins shall be punched with holes staggered to accept standard screw fastening. A series of continuous grooves shall be extruded into the face of the fins to provide greater bonding surface. The extruded profiles shall be primed with corrosion-resistant primer compatible with materials normally in use in conjunction with commercial interiors, i.e.: joint compound, latex and enamel paints, and wall covering adhesives.



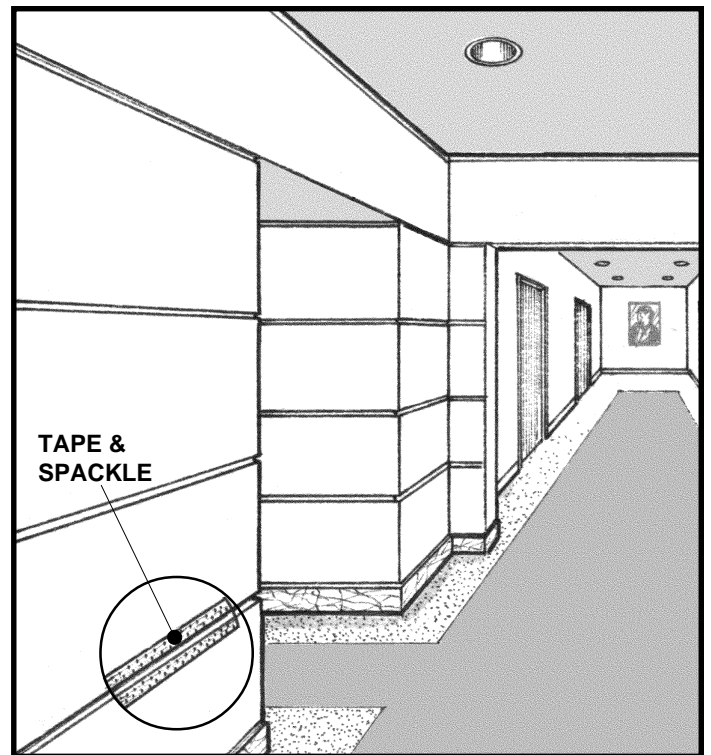
MATERIAL: Aluminum alloy.....6063 T5 or equal
Finish.....Factory primed

WALL REVEAL
NO SCALE **TYPICAL SECTION**

SELECTING YOUR SOFTFORMS® SWR WALL REVEAL SERIES OF ALUMINUM EXTRUSIONS

Select proper SOFTFORMS extrusion from the ordering information shown below.

SWR Model No.	Width	Depth
SWR-025-025	1/4" (6.4 mm)	1/4" (6.4 mm)
SWR-038-038	3/8" (9.5 mm)	3/8" (9.5 mm)
SWR-013-050	1/8" (3.2 mm)	1/2" (12.7 mm)
SWR-025-050	1/4" (6.4 mm)	1/2" (12.7 mm)
SWR-038-050	3/8" (9.5 mm)	1/2" (12.7 mm)
SWR-050-050	1/2" (12.7 mm)	1/2" (12.7 mm)
SWR-063-050	5/8" (15.9 mm)	1/2" (12.7 mm)
SWR-075-050	3/4" (19.1 mm)	1/2" (12.7 mm)
SWR-100-050	1" (25.4 mm)	1/2" (12.7 mm)
SWR-150-050	1-1/2" (38.1 mm)	1/2" (12.7 mm)
SWR-200-050	2" (50.8 mm)	1/2" (12.7 mm)
SWR-025-063	1/4" (6.4 mm)	5/8" (15.9 mm)
SWR-038-063	3/8" (9.5 mm)	5/8" (15.9 mm)
SWR-050-063	1/2" (12.7 mm)	5/8" (15.9 mm)
SWR-063-063	5/8" (15.9 mm)	5/8" (15.9 mm)
SWR-075-063	3/4" (19.1 mm)	5/8" (15.9 mm)
SWR-100-063	1" (25.4 mm)	5/8" (15.9 mm)
SWR-150-063	1-1/2" (38.1 mm)	5/8" (15.9 mm)
SWR-200-063	2" (50.8 mm)	5/8" (15.9 mm)
SWR-300-063	3" (76.2 mm)	5/8" (15.9 mm)



Special custom sizes are also available. Check with factory for availability and lead time.

All details, methods and specifications are the exclusive property of Pitcon Softforms®, LLC. Pitcon reserves the right to change any specifications or details without prior notification. All Softforms® profiles are available in standard 10' lengths ±1/8" (2.048 M). Other lengths are available as special order items. For custom shapes, sizes, or for special finishes, please contact the factory or your nearest Pitcon sales representative.

SWR SERIES

WALL REVEALS

SAMPLE SPECIFICATION

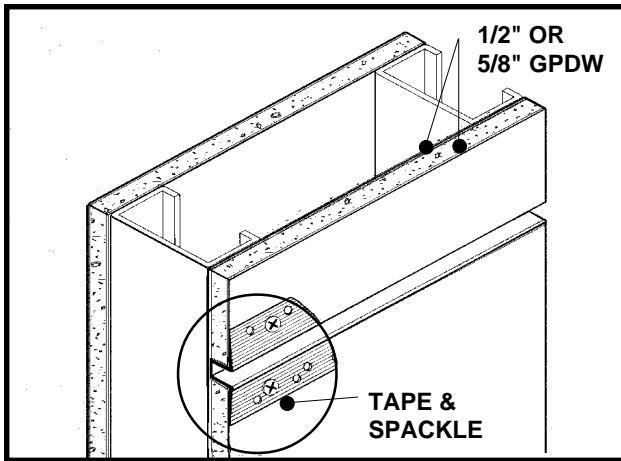
specify as: SOFTFORMS®

Model # SWR-XXX-XXX

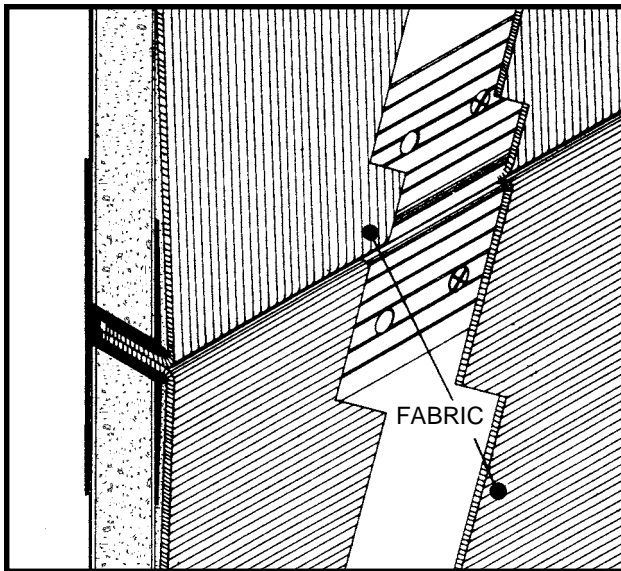
EXAMPLE DETAIL

For use with conventional metal stud construction with 1/2" or 5/8" GPDW

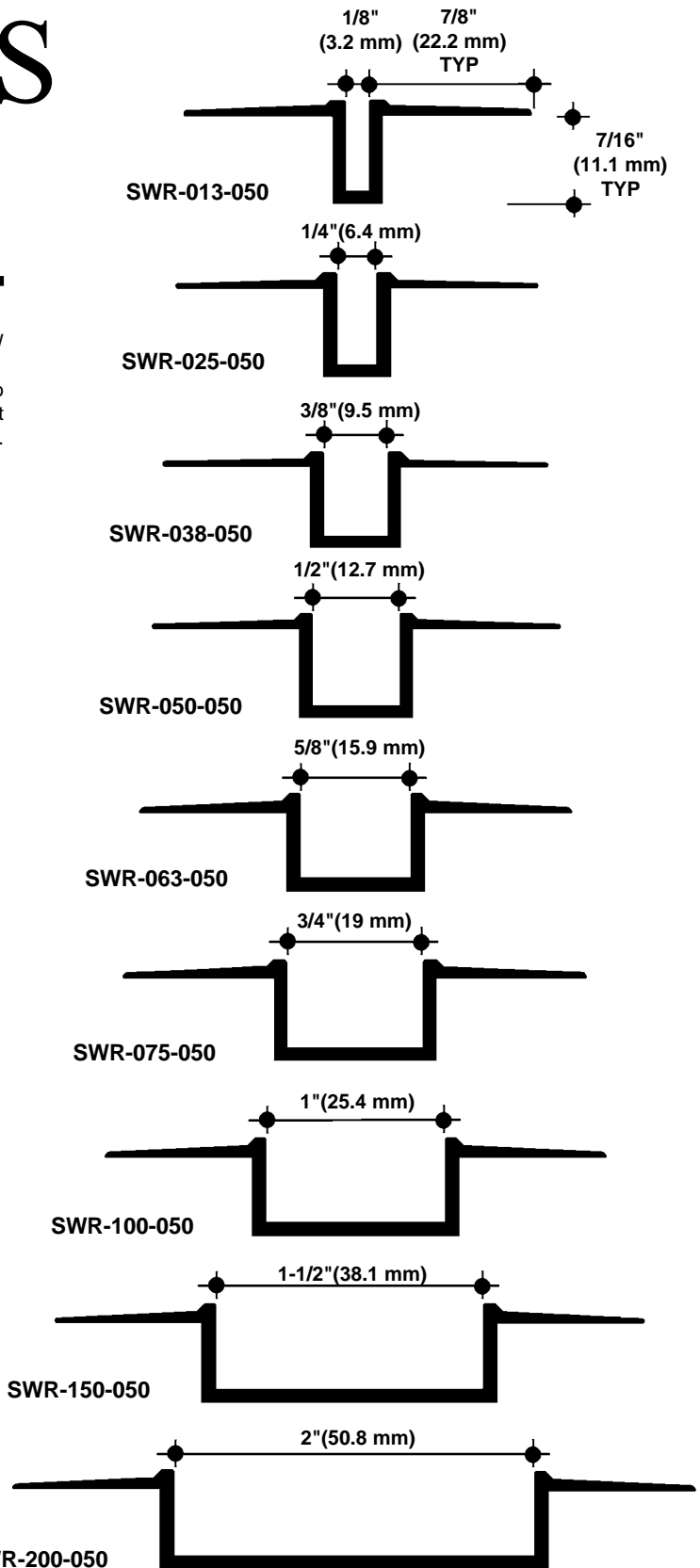
When the SWR reveal is used horizontally, bracing is recommended to bridge the gap between studs. Screws through the grooved fins must always engage with metal or wood substructure to ensure proper installation.



SWR TRIM HORIZONTAL INSTALLATION
NO SCALE PERSPECTIVE



SWR-013 REVEAL USED AS FABRIC TUCK
NO SCALE PERSPECTIVE



SWR SERIES OF WALL REVEAL
NO SCALE SECTIONS

Pittcon Industries (Pittcon Architectural Metals, LLC)

6409 Rhode Island Avenue
Riverdale, MD 20737
(800) 637-7638
(301) 927-1000
Fax: (301) 699-8690

7150 W Roosevelt St Unit B-139
Phoenix, AZ 85043
(800) 637-7638
(602) 233-9100
Fax: (602) 233-9400

Softforms®

PREFORMED ARCHITECTURAL PROFILES
FOR DRYWALL CONSTRUCTION