

# SWR-CJ-SERIES

## CONTROL JOINTS

### SAMPLE SPECIFICATION

specify as: SOFTFORMS® Model # SWR-CJ-xxx-xxx

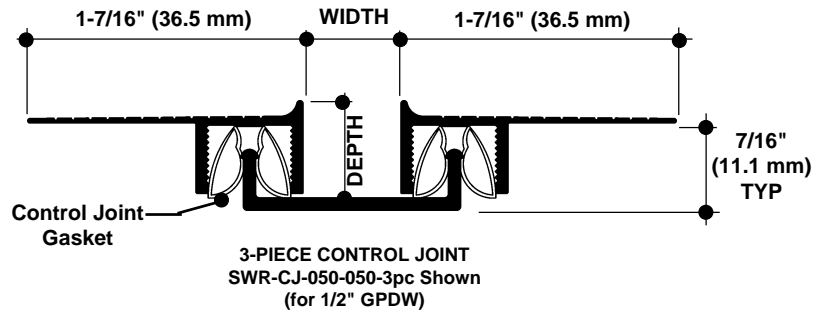
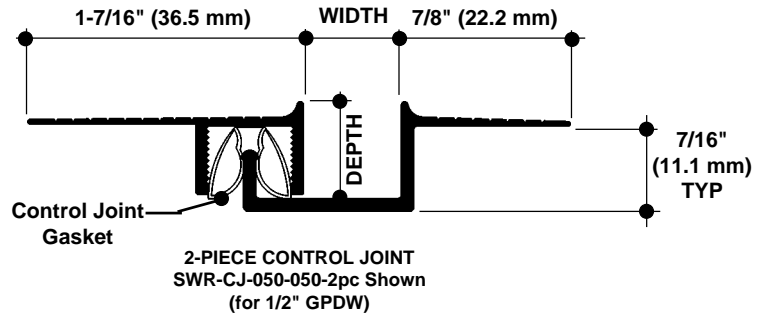
### Pittcon SOFTFORMS® LLC

6409 Rhode Island Avenue  
Riverdale, MD 20737  
(800) 637-7638  
(301) 927-1000  
Fax: (301) 699-8690

3330 W. Flower Street  
Phoenix, AZ 85017  
(800) 637-7638  
(602) 233-9100  
Fax: (602) 233-9400

The extruded aluminum profile shall incorporate a continuous integral fin for surface contact to conventionally installed gypsum drywall. The fins shall be 7/8" wide and shall be tapered to the edge. The tapered fins shall be punched with holes staggered to accept standard screw fastening. A series of continuous grooves shall be extruded into the face of the fins to provide greater bonding surface. The extruded profiles shall be primed with corrosion-resistant primer compatible with materials normally in use in conjunction with commercial interiors, i.e.: joint compound, latex and enamel paints, and wall covering adhesives.

MATERIAL: Aluminum alloy.....6063 T5 or equal  
Finish.....Factory primed



SWR-CJ SERIES  
NO SCALE

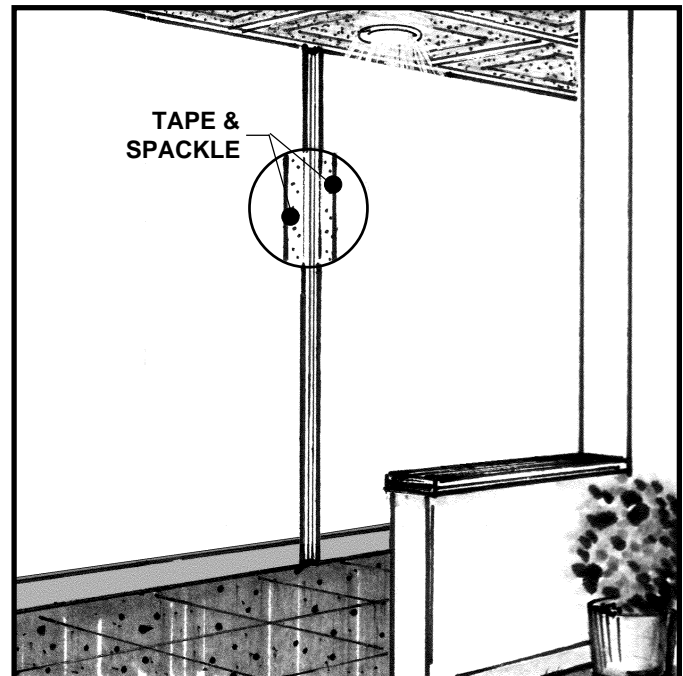
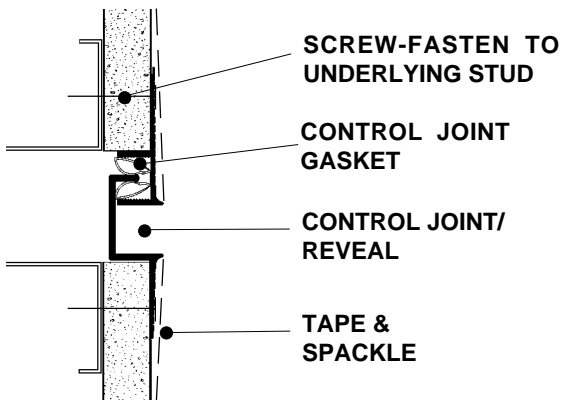
CONTROL JOINTS  
TYPICAL SECTIONS

### EXAMPLE DETAIL

For use with conventional metal stud construction and 1/2" GPDW only.

The SWR-CJ permits the introduction of a decorative control-joint in any long run of wallboard. The control-joint gasket allows for expansion and contraction while preventing penetration of the joint by air or dirt. Screws through the grooved fins must always engage metal or wood substructure to ensure proper installation.

SWR-CJ Model No.	Width	Depth
SWR-CJ-025-050-2pc	1/4" (6.4 mm)	1/2" (12.7 mm)
SWR-CJ-050-050-2pc	1/2" (12.7 mm)	1/2" (12.7 mm)
SWR-CJ-050-050-3pc	1/2" (12.7 mm)	1/2" (12.7 mm)



All details, methods and specifications are the exclusive property of Pittcon Softforms® LLC. Pittcon reserves the right to change any specifications or details without prior notification. All Softforms® profiles are available in standard 10' lengths ±1/8" (2.048 M). Other lengths are available as special order items. For custom shapes, sizes, or for special finishes, please contact the factory or your nearest Pittcon sales representative.

© 2008 Pittcon SOFTFORMS® LLC.

# Softforms

PREFORMED ARCHITECTURAL PROFILES  
FOR DRYWALL CONSTRUCTION

SR 4