

SB-LDPT

CUSTOM BULLNOSE

SAMPLE SPECIFICATION

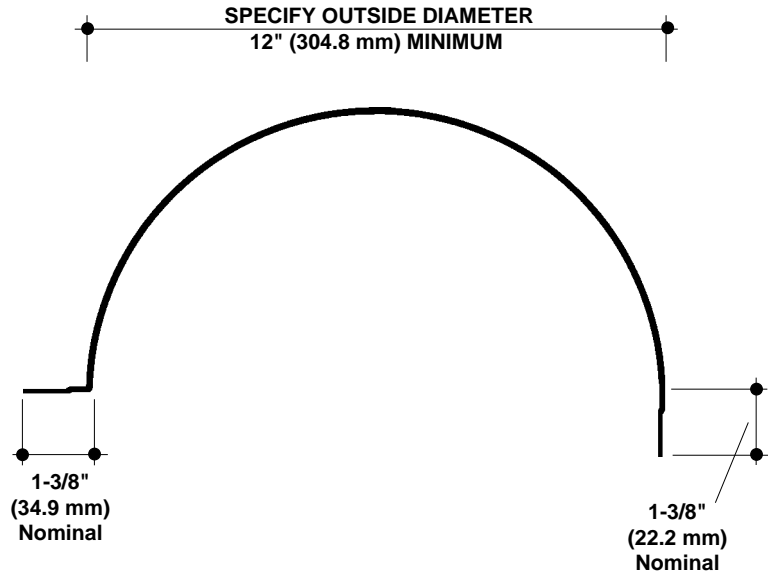
specify as: SOFTFORMS® Model # SB-LDPT

Pitcon SOFTFORMS® LLC

6409 Rhode Island Avenue	3330 W. Flower Street
Riverdale, MD 20737	Phoenix, AZ 85017
(800) 637-7638	(800) 637-7638
(301) 927-1000	(602) 233-9100
Fax: (301) 699-8690	Fax: (602) 233-9400

The formed aluminum profile shall incorporate a continuous integral fin for surface contact to conventionally installed gypsum drywall. The swedged fins shall be 1-3/8" wide nominally, with a raised shoulder for taping and spackling to. The formed profile shall be primed with a corrosion-resistant primer compatible with materials normally in use in conjunction with commercial interiors, i.e.: joint compound, latex and enamel paints, and wall covering adhesives. Screws through the installation fins must always engage wood or metal substructure in order to ensure proper installation.

MATERIAL: Aluminum alloy.....3003 H-14 or equal
 Finish.....Factory primed
 Thickness......090" Typical

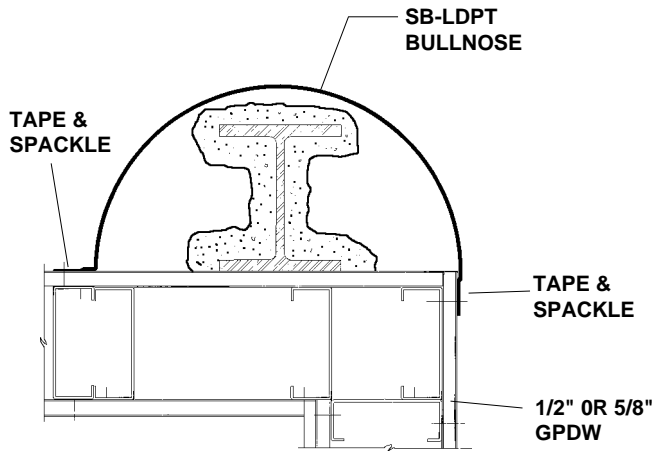


SB-LDPT **CUSTOM BULLNOSE**
NO SCALE **SECTION**

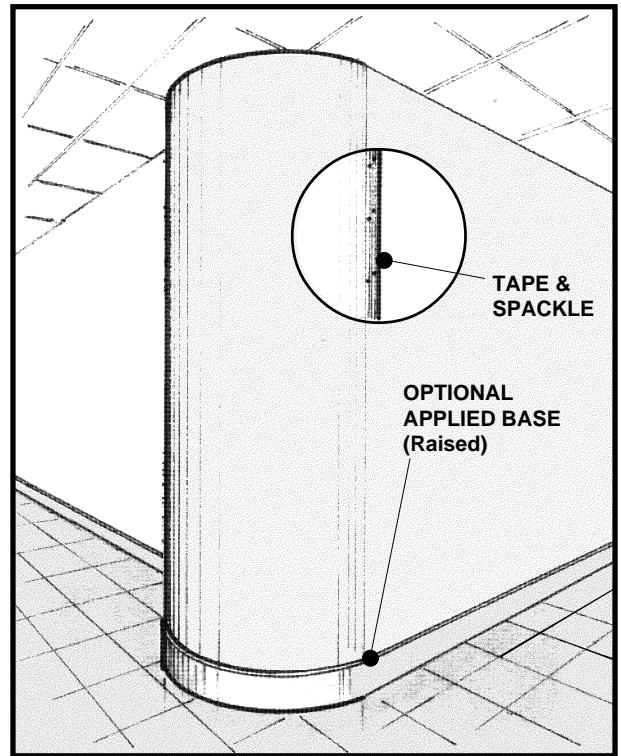
EXAMPLE DETAIL

For use with conventional metal stud construction and 1/2" or 5/8" GPDW.

The SB-LDPT is a large diameter bullnose or column cover with one tangential fin and one perpendicular for drywall constructions similar to that depicted here. Screws through the installation fins must always engage metal or wood substructure to ensure proper installation.



SB-LDPT COLUMN COVER @ STUD WALL
NO SCALE **PLAN/SECTION**



NOTE: REFER ALSO TO SERIES 100 COLUMN COVER BROCHURE

All details, methods and specifications are the exclusive property of Pitcon Softforms® LLC. Pitcon reserves the right to change any specifications or details without prior notification. All Softforms® profiles are available in standard 10' lengths ±1/8" (2.048 M). Other lengths are available as special order items. For custom shapes, sizes, or for special finishes, please contact the factory or your nearest Pitcon sales representative.