

SSB-212-8

SNAP-ON BULLNOSE

SAMPLE SPECIFICATION

specify as: SOFTFORMS®

Model # SSB-212-8
Model # SC-212-XXX

Pitcon SOFTFORMS® LLC

6409 Rhode Island Avenue
Riverdale, MD 20737
(800) 637-7638
(301) 927-1000
Fax: (301) 699-8690

3330 W. Flower Street
Phoenix, AZ 85017
(800) 637-7638
(602) 233-9100
Fax: (602) 233-9400

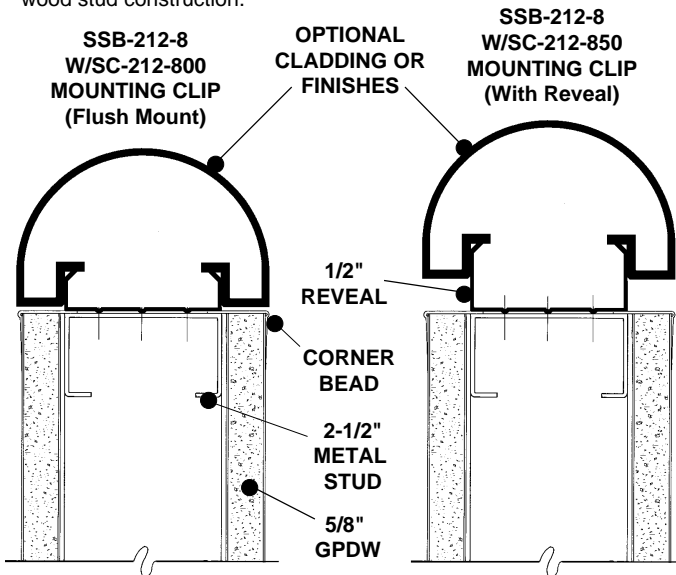
The extruded aluminum profiles shall be 1/8" thick at the exposed portion and shall incorporate a continuous integral grooved angle to mate with the SC-212-800, SC-212-825, SC-212-850, or SC-212-875 extended clip mount.

MATERIAL: Aluminum alloy.....6063 T5 or equal
Finish.....Mill Finish

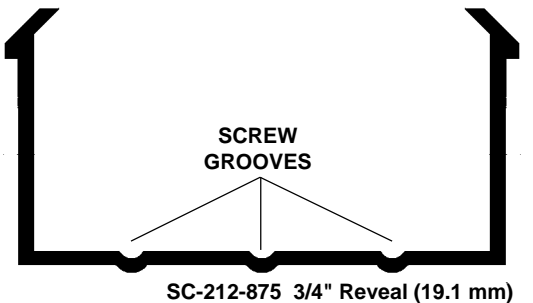
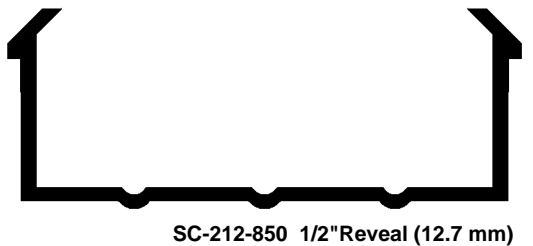
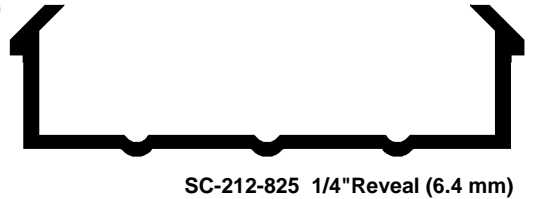
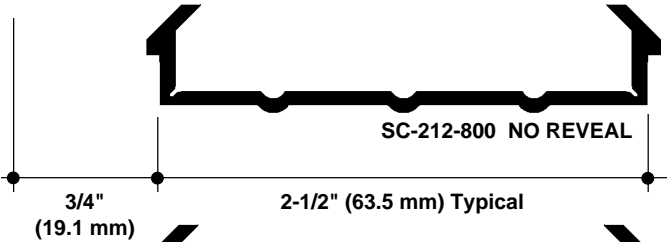
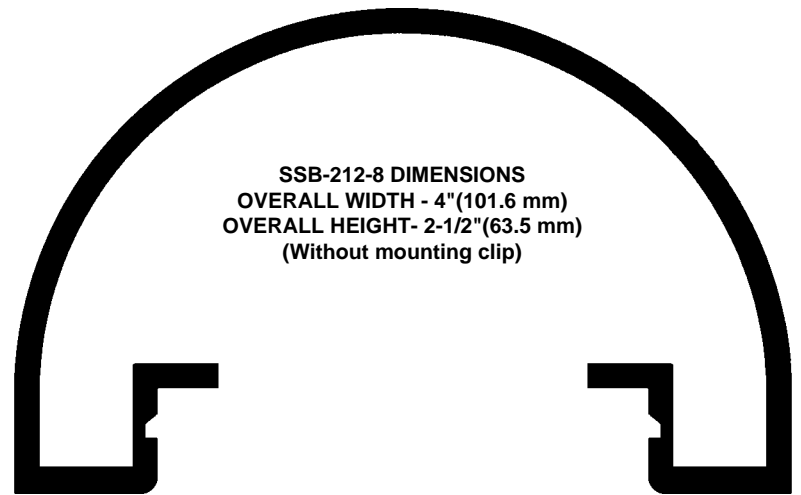
Optional factory applied finishes are available. Please check with factory for pricing and availability of your desired finish.

EXAMPLE DETAIL

For use with 2-1/2" metal stud construction and 5/8" GPDW. The SSB-212-8 works as a wall termination (where a reveal is desired) for vertical and horizontal wall applications with standard metal or wood stud construction.



SSB-212-8 @ 2-1/2" PARTITION END
NO SCALE PLAN/SECTION



SSB-212-8 SNAP-ON BULLNOSE W/CLIP MOUNTS
NO SCALE SECTIONS

All details, methods and specifications are the exclusive property of Pitcon Softforms® LLC. Pitcon reserves the right to change any specifications or details without prior notification. All Softforms® profiles are available in standard 10' lengths ±1/8" (2.048 M). Other lengths are available as special order items. For custom shapes, sizes, or for special finishes, please contact the factory or your nearest Pitcon sales representative.

SSB-358-8

SNAP-ON BULLNOSE

SAMPLE SPECIFICATION

specify as: SOFTFORMS® Model # SSB-358-8
 Model # SC-358-XXX

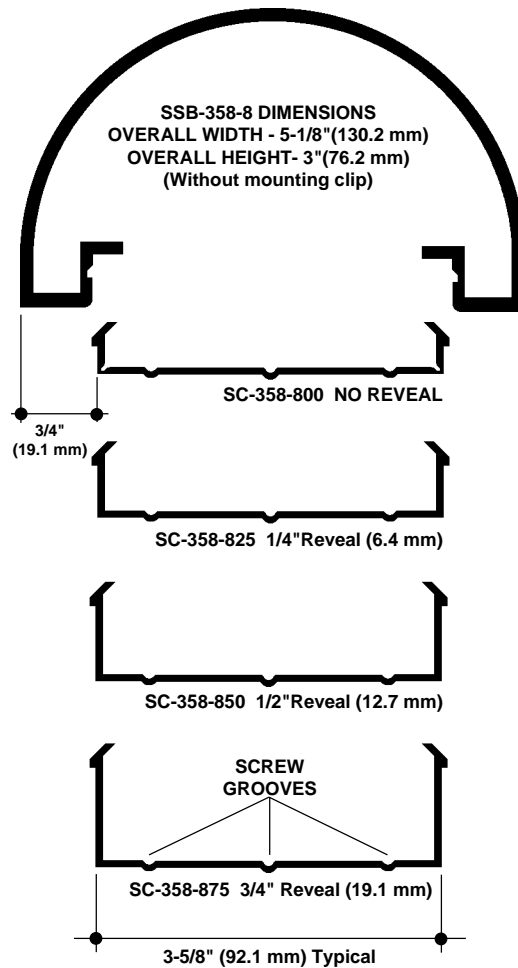
Pittcon SOFTFORMS® LLC

6409 Rhode Island Avenue 3330 W. Flower Street
 Riverdale, MD 20737 Phoenix, AZ 85017
 (800) 637-7638 (800) 637-7638
 (301) 927-1000 (602) 233-9100
 Fax: (301) 699-8690 Fax: (602) 233-9400

The extruded aluminum profiles shall be 1/8" thick at the exposed portion and shall incorporate a continuous integral grooved angle to mate with the SC-358-800, SC-358-825, SC-358-850, or SC-358-875 extended clip mount.

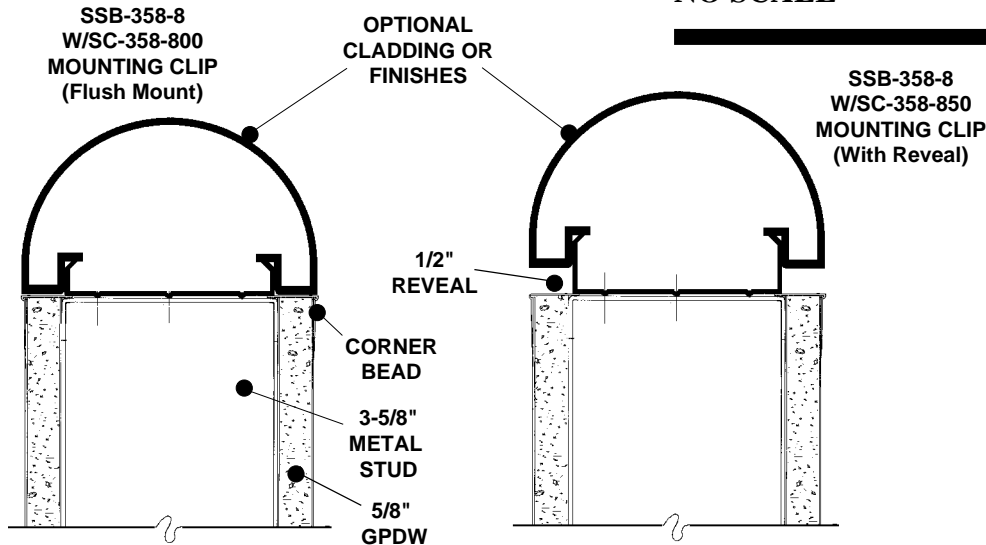
MATERIAL: Aluminum alloy.....6063 T5 or equal
 Finish.....Mill Finish

Optional factory applied finishes are available. Please check with factory for pricing and availability of your desired finish.



EXAMPLE DETAIL

For use with 3-5/8" metal stud construction and 5/8" GPDW. The SSB-358-8 works as a wall termination (where a reveal is desired) for vertical and horizontal wall applications with standard metal or wood stud construction.



SSB-358-8 SNAP-ON BULLNOSE W/CLIP MOUNTS

NO SCALE SECTIONS

SSB-358-8 @ 3-5/8" PARTITION END

NO SCALE PLAN/SECTION

All details, methods and specifications are the exclusive property of Pittcon Softforms® LLC. Pittcon reserves the right to change any specifications or details without prior notification. All Softforms® profiles are available in standard 10' lengths ±1/8" (2.048 M). Other lengths are available as special order items. For custom shapes, sizes, or for special finishes, please contact the factory or your nearest Pittcon sales representative.