

# ST-144C-150

## TRIM/WAINSCOT CAP

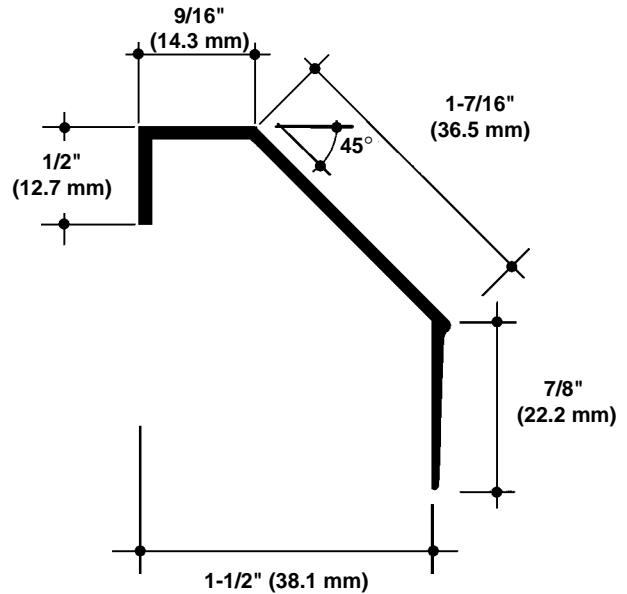
### SAMPLE SPECIFICATION

specify as: SOFTFORMS® Model # ST-144C-150

### Pittcon SOFTFORMS® LLC

6409 Rhode Island Avenue	3330 W. Flower Street
Riverdale, MD 20737	Phoenix, AZ 85017
(800) 637-7638	(800) 637-7638
(301) 927-1000	(602) 233-9100
Fax: (301) 699-8690	Fax: (602) 233-9400

The extruded aluminum profile shall incorporate a continuous integral fin for surface contact to conventionally installed gypsum drywall. The fins shall be 7/8" wide and shall be tapered to the edge. The tapered fins shall be punched with holes staggered to accept standard screw fastening. A series of continuous grooves shall be extruded into the face of the fins to provide greater bonding surface. The extruded profiles shall be primed with corrosion-resistant primer compatible with materials normally in use in conjunction with commercial interiors, i.e.: joint compound, latex and enamel paints, and wall covering adhesives.



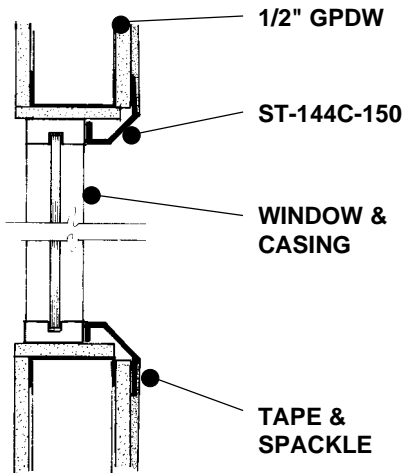
MATERIAL: Aluminum alloy.....6063 T5 or equal  
Finish.....Factory primed

**ST-144C-150** **TRIM/WAINSCOT CAP**  
**NO SCALE** **SECTION**

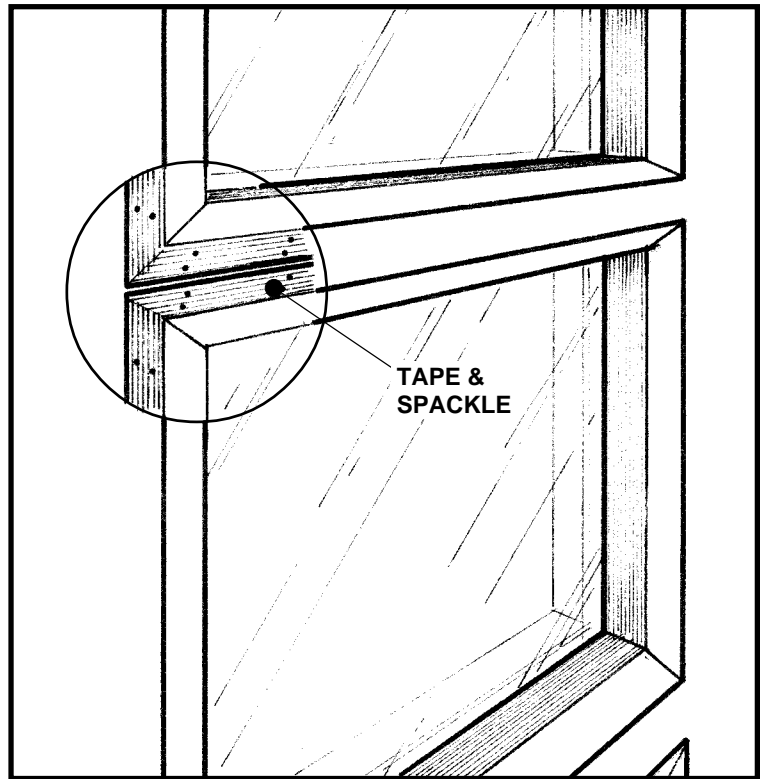
### EXAMPLE DETAIL

For use with conventional metal stud construction with 1/2" GPDW only.

The ST-144C-150 may be used to trim out around a window frame, eliminating the need for both GPDW edges and bottom ledging. It may also be used as a cap to terminate the top of wainscot paneling. Screws through the grooved fins must always engage with metal or wood substructure to ensure proper installation.



**ST-144C-150** **2 1/2" STUD WALL**  
**NO SCALE** **SECTION**



All details, methods and specifications are the exclusive property of Pittcon Softforms® LLC. Pittcon reserves the right to change any specifications or details without prior notification. All Softforms® profiles are available in standard 10' lengths ±1/8" (2.048 M). Other lengths are available as special order items. For custom shapes, sizes, or for special finishes, please contact the factory or your nearest Pittcon sales representative.