

STA-075

GYPSUM CEILING TRIM

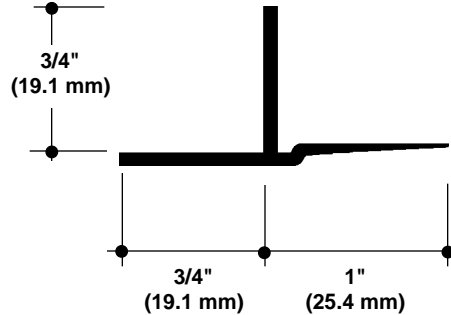
SAMPLE SPECIFICATION

specify as: SOFTFORMS® Model # STA-075
 Specify as: Pittcon Drywall Molding

Model No.

MATERIAL: Aluminum alloy.....6063 T5 or equal
 Finish.....Factory primed

The extruded aluminum profile shall incorporate a continuous integral fin for surface contact to conventionally installed gypsum drywall. The fins shall be 7/8" wide and shall be tapered to the edge. The tapered fins shall be punched with holes staggered to accept standard screw fastening. A series of continuous grooves shall be extruded into the face of the fins to provide greater bonding surface. The extruded profiles shall be primed with corrosion-resistant primer compatible with materials normally in use in conjunction with commercial interiors, i.e.: joint compound, latex and enamel paints, and wall covering adhesives.



STA-075

NO SCALE

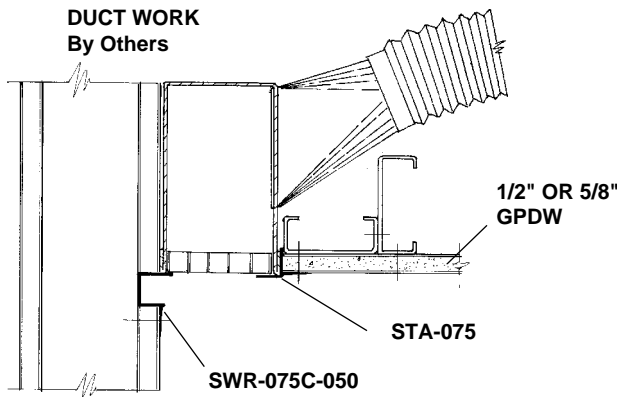
GYPSUM CEILING TRIM

SECTION

EXAMPLE DETAIL

For use with conventional metal stud construction and 1/2" or 5/8" GPDW.

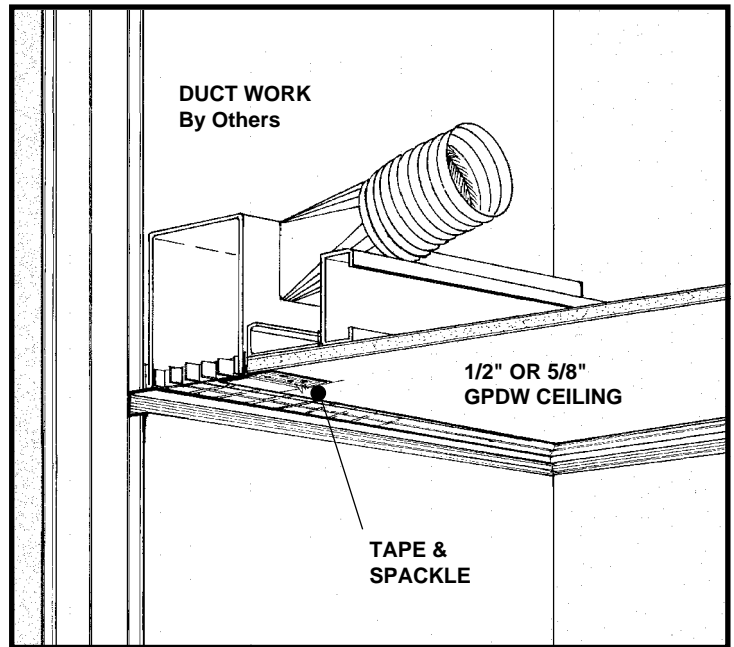
The STA-075 trim provides a finished edge to a GPDW ceiling for installation of such items as the recessed duct work shown below. It may be paneled to introduce these elements anywhere in the ceiling. When combined with the SWR-075C-050 these elements may be located along the perimeter of the ceiling. Screws through the grooved fins must always engage metal or wood substructure to ensure proper installation.



STA-075 WITH SWR-075C-050 TRIM

NO SCALE

SECTION



STA-075 USED TO CREATE RECESSED DUCT

NO SCALE

PERSPECTIVE

© 2008 Pittcon Industries



2090 Del Rio Way, Unit B
 Ontario, CA 91761
 Phone: (909) 773-0001
 Fax: (909) 773-0091

3330 W. Flower Street
 Phoenix, AZ 85017
 Phone: (602) 233-9100
 Fax: (602) 233-9400

Pittcon Industries

DIVISION OF PITTCOON ARCHITECTURAL METALS, LLC

800 637-7638



6409 Rhode Island Ave.
 Riverdale, MD 20737
 Phone: (301) 927-1000
 Fax: (301) 699-8690