

STB SERIES

180° BULLNOSES

SAMPLE SPECIFICATION

specify as: SOFTFORMS® Model # STB-XXX
 Model # SC-XXX (Clip)

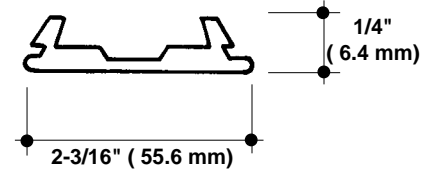
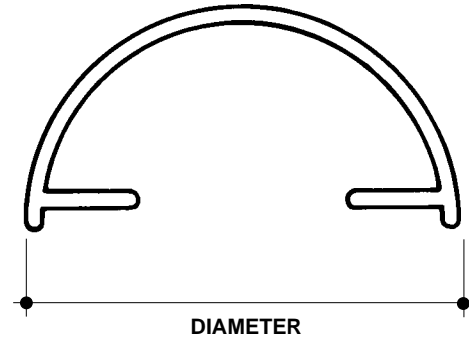
Pittcon SOFTFORMS® LLC

6409 Rhode Island Avenue 3330 W. Flower Street
 Riverdale, MD 20737 Phoenix, AZ 85017
 (800) 637-7638 (800) 637-7638
 (301) 927-1000 (602) 233-9100
 Fax: (301) 699-8690 Fax: (602) 233-9400

The extruded aluminum profile shall be a nominal thickness of .050" at the exposed portion and shall incorporate a continuous integral angle to mate with extended mounting clip.

MATERIAL: Aluminum alloy.....6063 T5 or equal
 Finish.....Below

The STB Decorative Bullnose is available in a wide variety of finishes. These include satin or bright dipped anodized, as well as buffed or brushed finishes. See listing below for color and finish number. Please check with factory for pricing and availability of your desired finish.



STB-202 and SC-540 CLIP
 NO SCALE

Decorative Bullnose
 SECTION

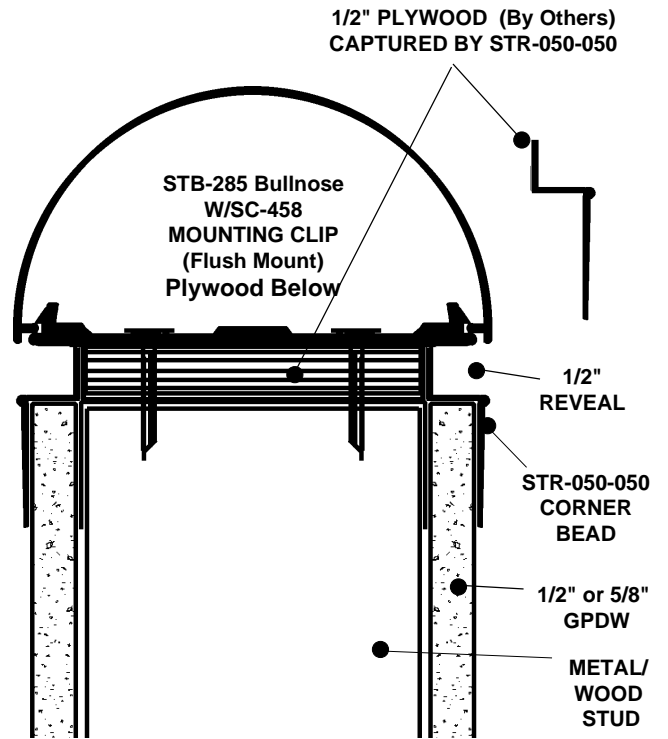
SELECTING YOUR STB SERIES OF DECORATIVE ALUMINUM EXTRUSIONS

Select proper extrusion from the ordering information shown below.

STB Model Number	Diameter	Base Number	End Cap Number
STB-267 *	3/4" (19.1mm)	SC-526	N/A
STB-328 *	1" (25.4mm)	SC-526	EC-323
STB-200 *	1-1/2" (38.1mm)	SC-443	EC-204
STB-201 *	2" (50.8 mm)	SC-443	EC-205
STB-202 *	3" (76.2 mm)	SC-540	EC-206
STB-210 *	4" (101.6 mm)	SC-458	EC-207
STB-285 *	4-1/2" (114.3 mm)	SC-458	EC-238
STB-211 *	5" (127 mm)	SC-002	EC-208
STB-212 *	6" (152.4 mm)	SC-509	EC-209

* Limited availability on these sizes.

The STB SERIES of decorative bullnoses works as a wall accent trim where a complementary colored trim is needed to offset or terminate changes in wall colors. Available colors include natural, black, brass, bronze, brown, copper, pewter, stainless steel, and white gold. Check with factory for availability and lead time.



All details, methods and specifications are the exclusive property of Pittcon Softforms® LLC. Pittcon reserves the right to change any specifications or details without prior notification. All Softforms® profiles are available in standard 10' lengths ±1/8" (2.048 M). Other lengths are available as special order items. For custom shapes, sizes, or for special finishes, please contact the factory or your nearest Pittcon sales representative.

Softforms®

PREFORMED ARCHITECTURAL PROFILES
 FOR DRYWALL CONSTRUCTION

SO 61

STB SERIES

180° BULLNOSES

SAMPLE SPECIFICATION

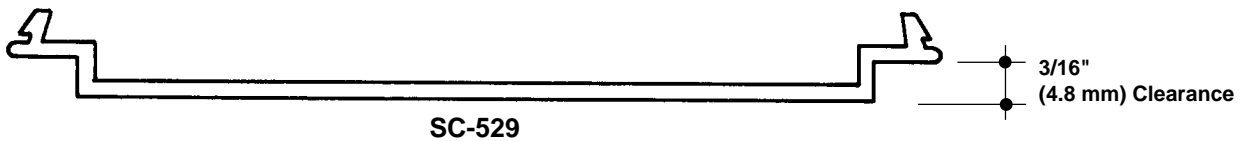
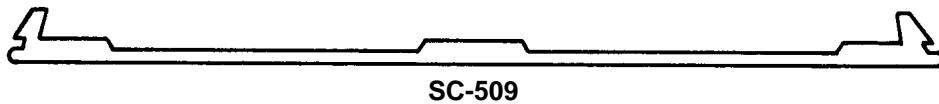
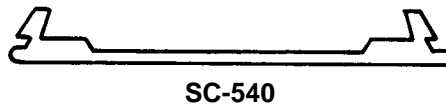
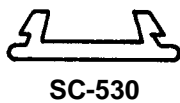
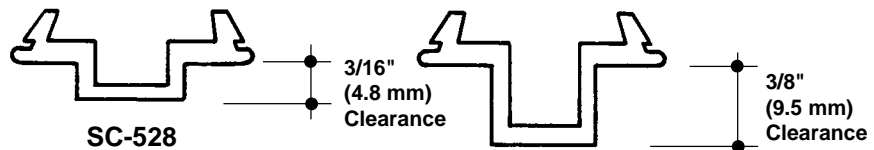
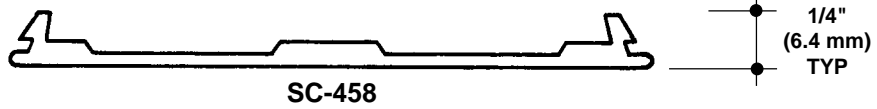
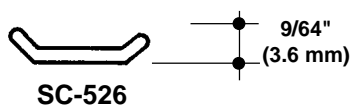
specify as: SOFTFORMS®

Model # STB-XXX

Model # SC-XXX (Clip)

SELECTING YOUR STB SERIES OF ALUMINUM EXTRUSIONS

Select proper extrusion from the ordering information shown below.



SC SERIES OF BULLNOSE MOUNTING CLIPS

NO SCALE

Pittcon SOFTFORMS® LLC

6409 Rhode Island Avenue
Riverdale, MD 20737
(800) 637-7638
(301) 927-1000
Fax: (301) 699-8690

3330 W. Flower Street
Phoenix, AZ 85017
(800) 637-7638
(602) 233-9100
Fax: (602) 233-9400

Softforms®
PREFORMED ARCHITECTURAL PROFILES
FOR DRYWALL CONSTRUCTION