

STBT-SERIES

BEVEL TRIMS

SAMPLE SPECIFICATION

specify as: SOFTFORMS® Model # ST-xxxB-xxx

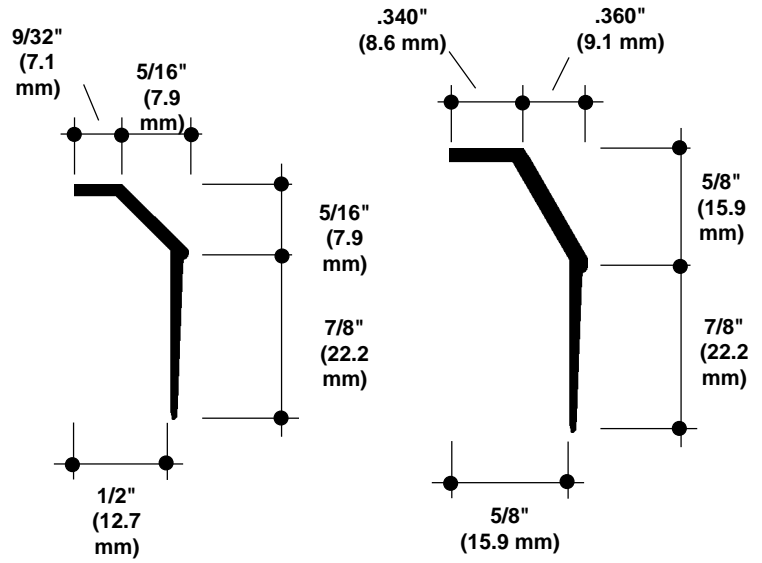
Pittcon SOFTFORMS® LLC

6409 Rhode Island Avenue
Riverdale, MD 20737
(800) 637-7638
(301) 927-1000
Fax: (301) 699-8690

3330 W. Flower Street
Phoenix, AZ 85017
(800) 637-7638
(602) 233-9100
Fax: (602) 233-9400

The extruded aluminum profile shall incorporate a continuous integral fin for surface contact to conventionally installed gypsum drywall. The fins shall be 7/8" wide and shall be tapered to the edge. The tapered fins shall be punched with holes staggered to accept standard screw fastening. A series of continuous grooves shall be extruded into the face of the fins to provide greater bonding surface. The extruded profiles shall be primed with corrosion-resistant primer compatible with materials normally in use in conjunction with commercial interiors, i.e.: joint compound, latex and enamel paints, and wall covering adhesives.

MATERIAL: Aluminum alloy.....6063 T5 or equal
Finish.....Factory primed



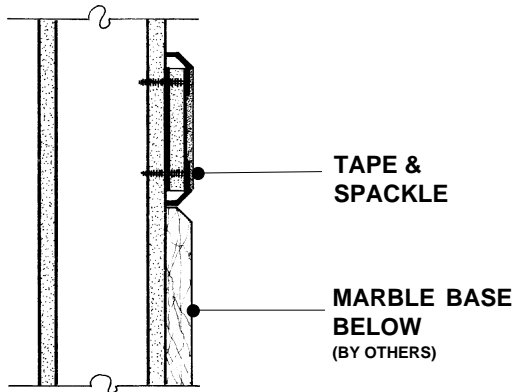
ST-030B-050
NO SCALE

ST-063B-063
BEVEL TRIM

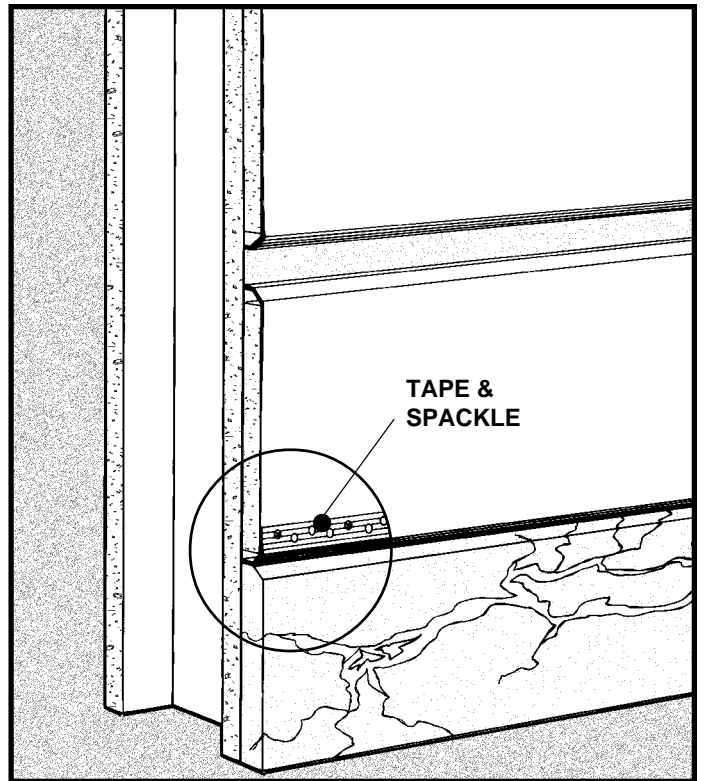
SELECTING YOUR SOFTFORMS® STBT BEVEL TRIM SERIES OF ALUMINUM EXTRUSIONS

Select proper SOFTFORMS extrusion from the ordering information shown below.

STBT Model No.	Width	Depth
ST-030B-050	5/16" (7.9 mm)	1/2" (12.7 mm)
ST-063B-063	5/8" (15.9 mm)	5/8" (15.7 mm)



STBT BEVEL TRIM **TYPICAL INSTALLATION**
NO SCALE **SECTION**



All details, methods and specifications are the exclusive property of Pittcon Softforms® LLC. Pittcon reserves the right to change any specifications or details without prior notification. All Softforms® profiles are available in standard 10' lengths ±1/8" (2.048 M). Other lengths are available as special order items. For custom shapes, sizes, or for special finishes, please contact the factory or your nearest Pittcon sales representative.

© 2008 Pittcon SOFTFORMS® LLC.

Softforms

PREFORMED ARCHITECTURAL PROFILES
FOR DRYWALL CONSTRUCTION

SR 9