

# SWS-9-063

## STEP - 5/8" RADIUS

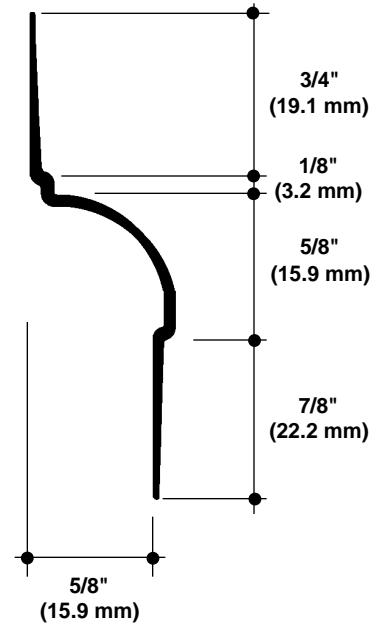
### SAMPLE SPECIFICATION

specify as: SOFTFORMS® Model # SWS-9-063  
 Specify as: Pittcon Drywall Molding

#### Model No.

MATERIAL: Aluminum alloy.....6063 T5 or equal  
 Finish.....Factory primed

The extruded aluminum profile shall incorporate a continuous integral fin for surface contact to conventionally installed gypsum drywall. The fins shall be 7/8" wide and shall be tapered to the edge. The tapered fins shall be punched with holes staggered to accept standard screw fastening. A series of continuous grooves shall be extruded into the face of the fins to provide greater bonding surface. The extruded profiles shall be primed with corrosion-resistant primer compatible with materials normally in use in conjunction with commercial interiors, i.e.: joint compound, latex and enamel paints, and wall covering adhesives.



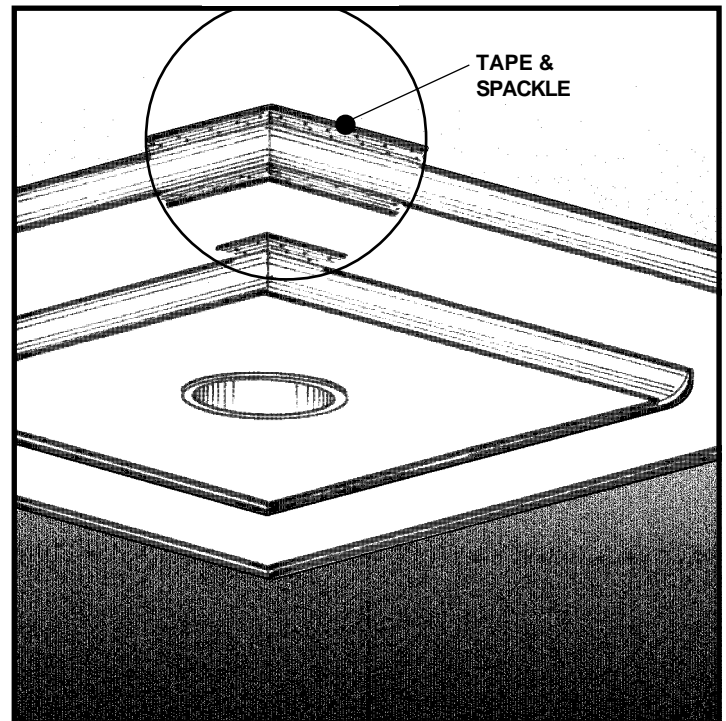
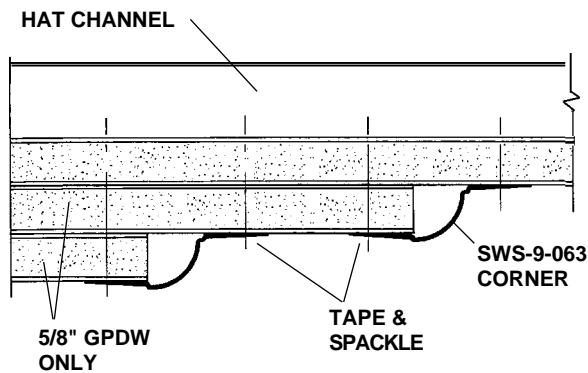
SWS-9-063  
NO SCALE

CEILING STEP 5/8" RADIUS  
SECTION

### EXAMPLE DETAIL

For use with conventional metal stud construction and 5/8" GPDW.

The SWS-9-063 can be used to create a softly radiused transition in ceiling or wall surface, allowing recessed or raised areas. Multiple steps can be added using stacked layers of 5/8" GPDW as shown below. When used in conjunction with square edged steps, such as the SWS(033-050) unique and striking features can be designed. Screws through grooved fins must always engage metal or wood substructure to ensure proper installation.



SWS-9-063 SINGLE STEP  
NO SCALE SECTION

© 2008 Pittcon Industries



2090 Del Rio Way, Unit B  
 Ontario, CA 91761  
 Phone: (909) 773-0001  
 Fax: (909) 773-0091

3330 W. Flower Street  
 Phoenix, AZ 85017  
 Phone: (602) 233-9100  
 Fax: (602) 233-9400

**Pittcon Industries**  
 DIVISION OF PITTCOON ARCHITECTURAL METALS, LLC  
 800 637-7638



6409 Rhode Island Ave.  
 Riverdale, MD 20737  
 Phone: (301) 927-1000  
 Fax: (301) 699-8690