

SWX-025

FABRIC TUCK

SAMPLE SPECIFICATION

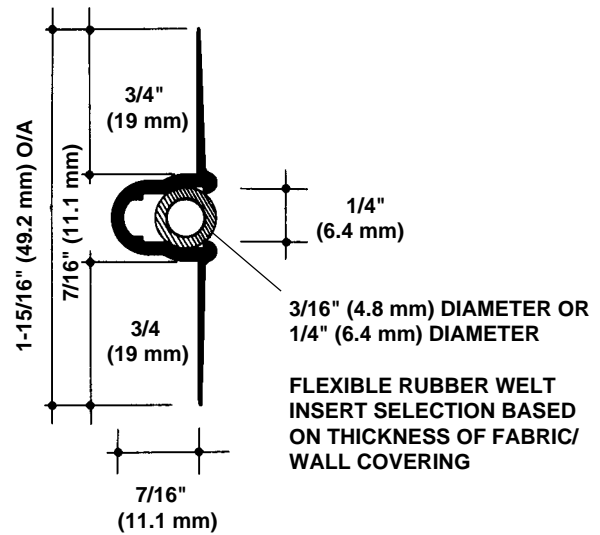
specify as: SOFTFORMS® Model # SWX-025

Pittcon SOFTFORMS® LLC

6409 Rhode Island Avenue 3330 W. Flower Street
 Riverdale, MD 20737 Phoenix, AZ 85017
 (800) 637-7638 (800) 637-7638
 (301) 927-1000 (602) 233-9100
 Fax: (301) 699-8690 Fax: (602) 233-9400

The extruded aluminum profile shall incorporate a continuous integral fin for surface contact to conventionally installed gypsum drywall. The fins shall be 7/8" wide and shall be tapered to the edge. The tapered fins shall be punched with holes staggered to accept standard screw fastening. A series of continuous grooves shall be extruded into the face of the fins to provide greater bonding surface. The extruded profiles shall be primed with corrosion-resistant primer compatible with materials normally in use in conjunction with commercial interiors, i.e.: joint compound, latex and enamel paints, and wall covering adhesives.

MATERIAL: Aluminum alloy.....6063 T5 or equal
 Finish.....Factory primed



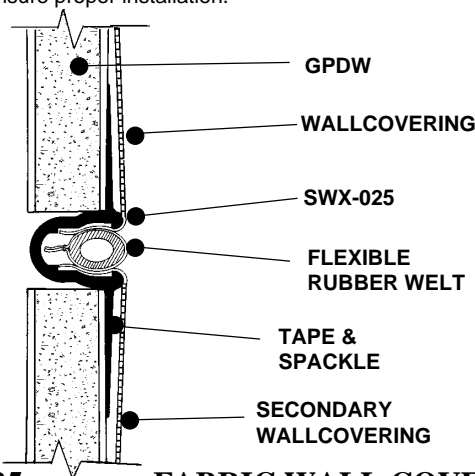
SWX-025
NO SCALE

FABRIC TUCK
SECTION

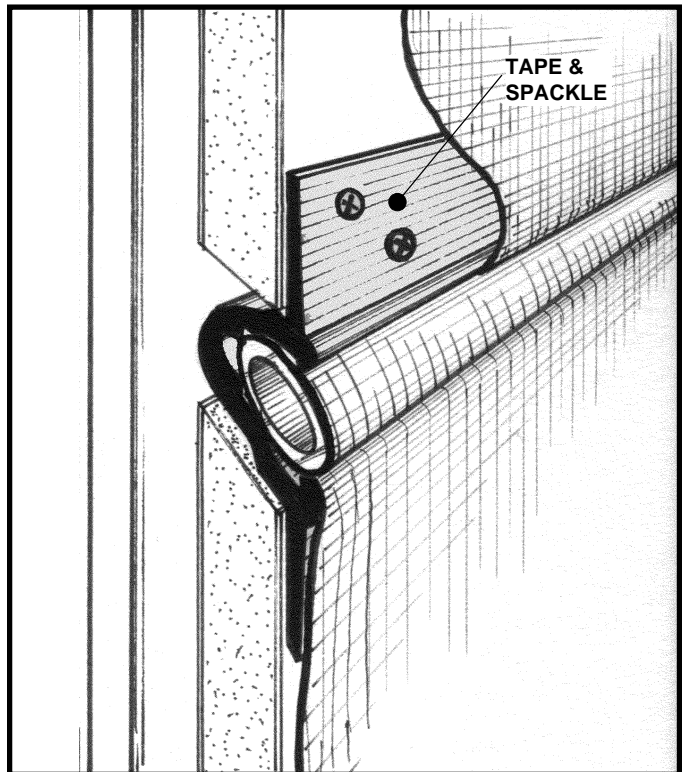
EXAMPLE DETAIL

For use with conventional metal stud construction with 1/2" or 5/8" GPDW sheets.

The SWX-025 is designed to accept a flexible rubber insert permitting a well type joint of two similar or dissimilar flexible wall coverings. The insert may be wrapped and/or sewn with matching or contrasting fabric. For lightweight fabric specify 1/4" diameter insert, for heavyweight fabrics specify 3/16" diameter insert. Screws through the grooved fins must always engage with metal or wood substructure including horizontal bracing to insure proper installation.



SWX-025 FABRIC WALL COVERING
NO SCALE SECTION



All details, methods and specifications are the exclusive property of Pittcon Softforms® LLC. Pittcon reserves the right to change any specifications or details without prior notification. All Softforms® profiles are available in standard 10' lengths ±1/8" (2.048 M). Other lengths are available as special order items. For custom shapes, sizes, or for special finishes, please contact the factory or your nearest Pittcon sales representative.