

# SWZ SERIES

## CEILING Z STEPS

### SAMPLE SPECIFICATION

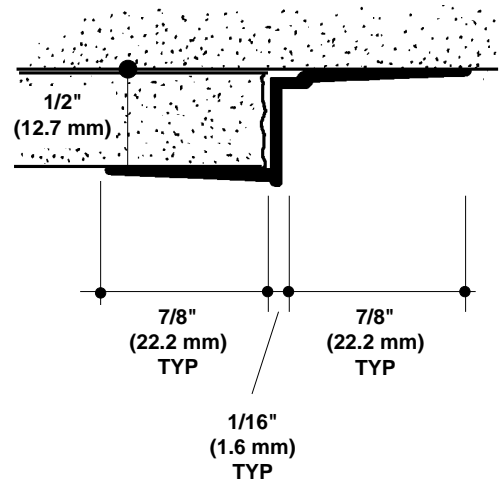
specify as: SOFTFORMS® Model # SWZ-XXX

Specify as: Pittcon Drywall Molding

#### Model No.

MATERIAL: Aluminum alloy.....6063 T5 or equal  
Finish.....Factory primed

The extruded aluminum profile shall incorporate a continuous integral fin for surface contact to conventionally installed gypsum drywall. The fins shall be 7/8" wide and shall be tapered to the edge. The tapered fins shall be punched with holes staggered to accept standard screw fastening. A series of continuous grooves shall be extruded into the face of the fins to provide greater bonding surface. The extruded profiles shall be primed with corrosion-resistant primer compatible with materials normally in use in conjunction with commercial interiors, i.e.: joint compound, latex and enamel paints, and wall covering adhesives.



### SWZ-050 CEILING Z STEP

NO SCALE

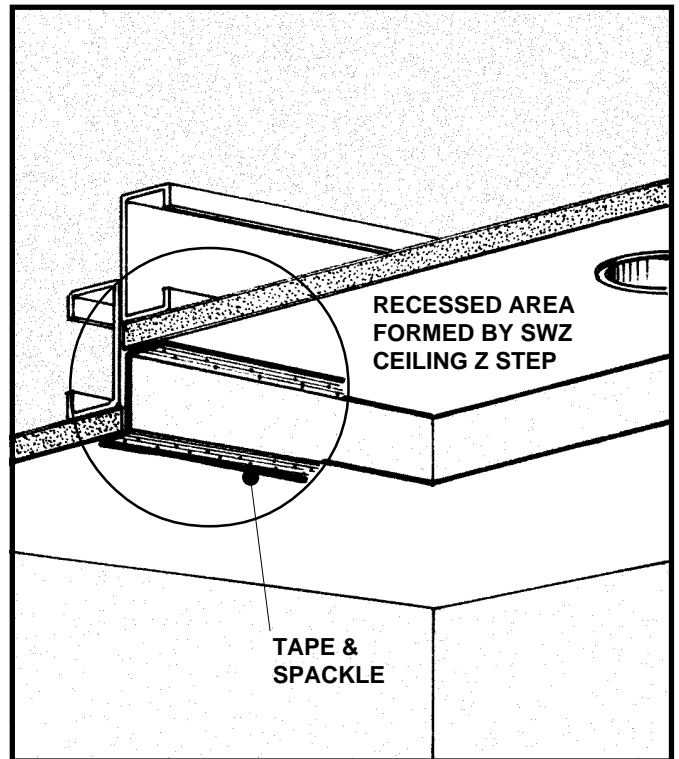
SECTION

### SELECTING YOUR PROFILE FROM THE SOFTFORMS® SWZ SERIES OF ALUMINUM EXTRUSIONS

Select proper SOFTFORMS extrusion from the ordering information shown below.

SWZ Model	Depth	Type of GPDW
SWZ-050	1/2" (12.7 mm)	1/2" (12.7 mm)
SWZ-063	5/8" (15.9 mm)	5/8" (15.9 mm)
SWZ-100	1" (25.4 mm)	2 @ 1/2" (12.7 mm)
SWZ-150	1-1/2" (38.1 mm)	3 @ 1/2" (12.7 mm)
SWZ-200C	2" (50.8 mm)	CUSTOM
SWZ-300C	3" (76.2 mm)	CUSTOM

Note: Other custom sizes are also available. Check with factory for availability and lead time.



© 2008 Pittcon Industries



2090 Del Rio Way, Unit B  
Ontario, CA 91761  
Phone: (909) 773-0001  
Fax: (909) 773-0091

3330 W. Flower Street  
Phoenix, AZ 85017  
Phone: (602) 233-9100  
Fax: (602) 233-9400

**Pittcon Industries**  
DIVISION OF PITTCO ARCHITECTURAL METALS, LLC  
800 637-7638



6409 Rhode Island Ave.  
Riverdale, MD 20737  
Phone: (301) 927-1000  
Fax: (301) 699-8690

# SWZ SERIES

## CEILING Z STEPS

### SAMPLE SPECIFICATION

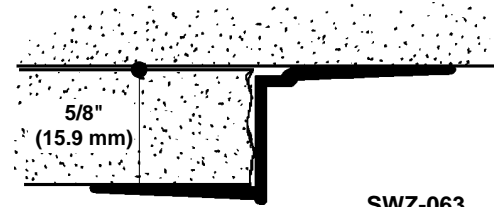
specify as: SOFTFORMS®

Model # SWZ-XXX

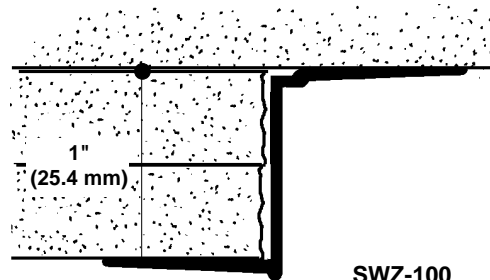
### EXAMPLE DETAIL

For use with conventional metal stud construction with 1/2" or 5/8" GPDW sheets.

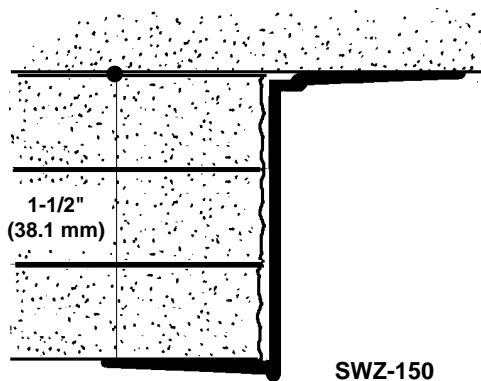
The SWZ SERIES of ceiling Z steps will permit changes in thickness in either a vertical or horizontal plane. They are especially effective when used to create a raised or recessed portion of a ceiling or wall. Stud layout may vary according to the particular product used. Screws through the grooved fins must always engage with metal or wood substructure to ensure proper installation.



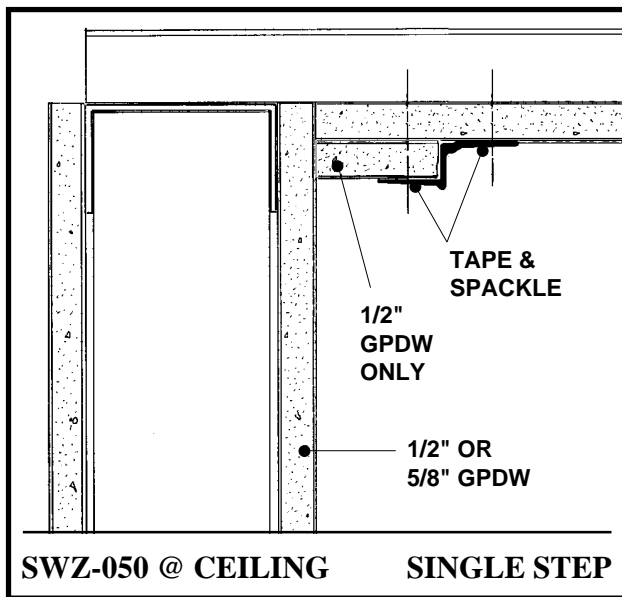
SWZ-063



SWZ-100

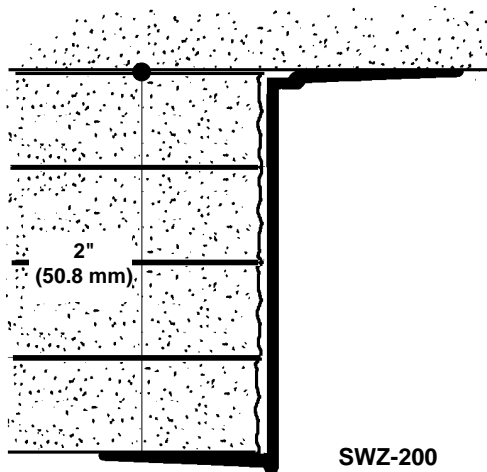


SWZ-150

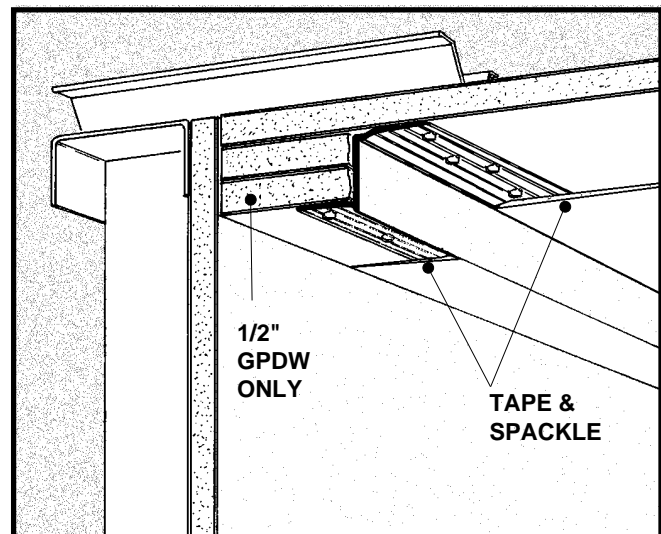


SWZ-050 @ CEILING

SINGLE STEP



SWZ-200



SWZ-100 TYPICAL INSTALLATION

### SWZ SERIES OF CEILING Z STEPS

NO SCALE

SECTIONS

**Pittcon Industries** Division Pittcon Architectural Metals, LLC

6409 Rhode Island Avenue

3330 W. Flower Street

Riverdale, Maryland 20737

Phoenix, Arizona 85017

(800) 637-7638 , (301) 927-1000

(800) 637-7638 , (602) 233-9100

Fax: (301) 699-8690

Fax: (602) 233-9400

© 2008 Pittcon Industries