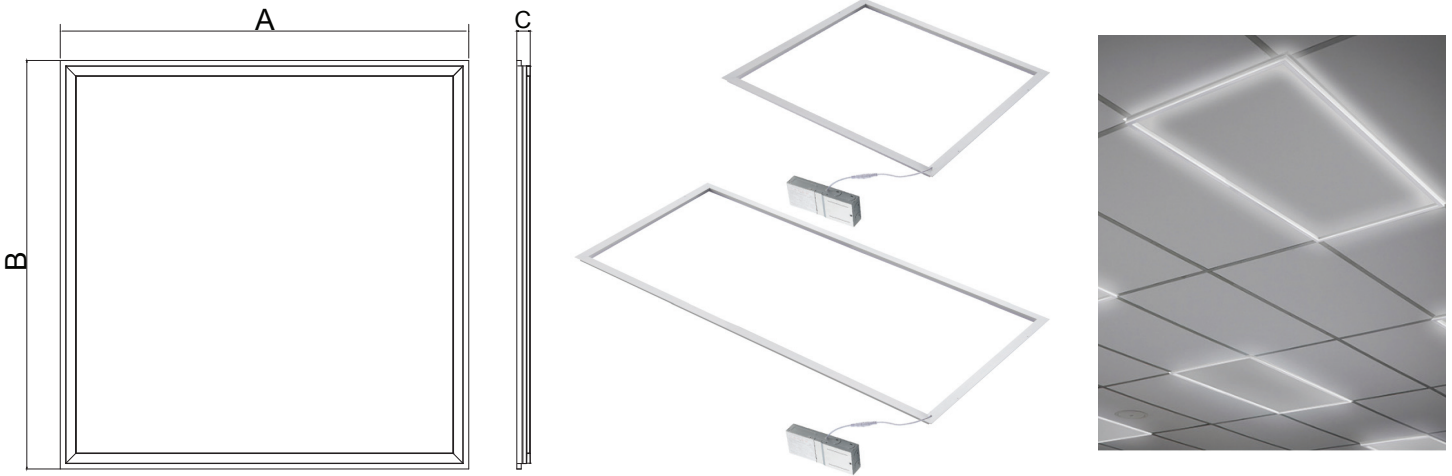


<b>FIXTURE INSTALLATION</b>	T-LED Edge Light	TLE-2X2-40-30 TLE-2X2-40-40 TLE-2X4-55-30 TLE-2X4-55-40
-----------------------------	------------------	--

**Important:** Read all instructions in order to ensure safety and proper installation.



Dimensions	A	B	C
2x2	23.74" (603mm)	23.74" (603mm)	0.59" (15mm)
2x4	47.76" (1213mm)	23.74" (603mm)	0.59" (15mm)

**MAINTENANCE**

---

- Do not modify this fixture. Any modifications may render the product unsafe and void warranty.

**Limited Warranty**  
 The warranty applies to the product from the original date of purchase for five (5) years against manufacturing defects. The owner must provide a copy of the original proof of purchase. The manufacturer's obligation under this warranty is limited to repairing or replacing the component. It is not related in any way to the cost of the connection, the installation of the replacement parts or cost of transport.

# INSTALLATION GUIDE

## ⚠ WARNING

Turn power OFF from electrical panel before installation or maintenance.

1.1 Remove the ceiling tile.

1.2 Place the T-LED Edge Light on the T-Bar carefully.

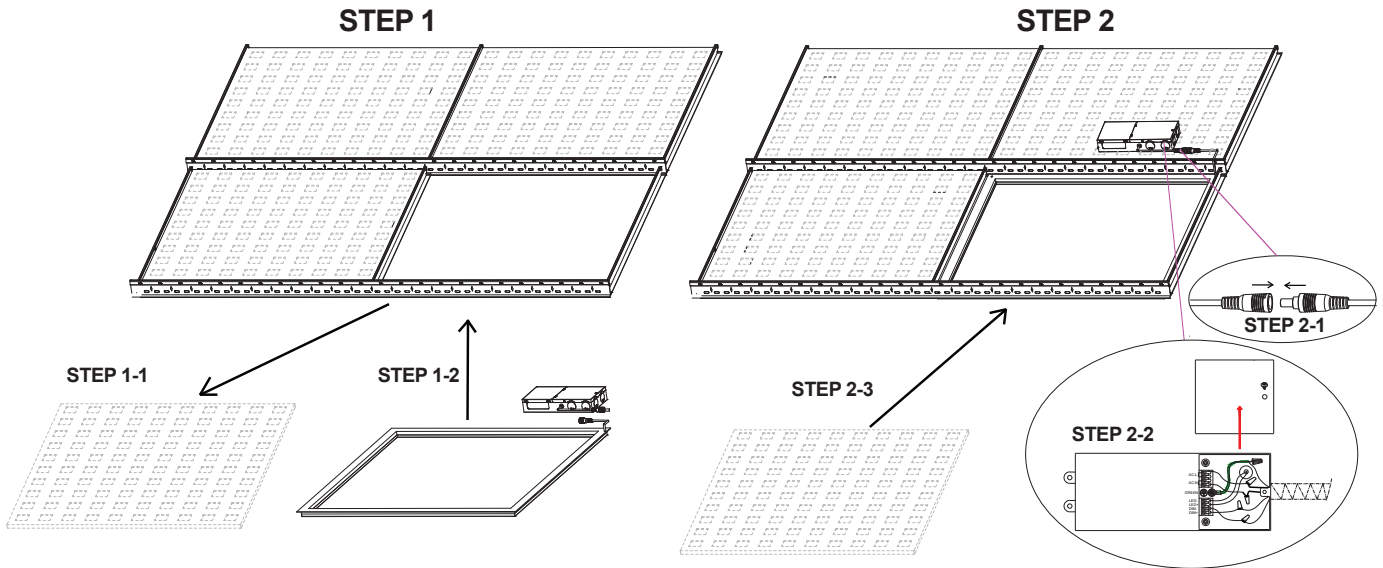
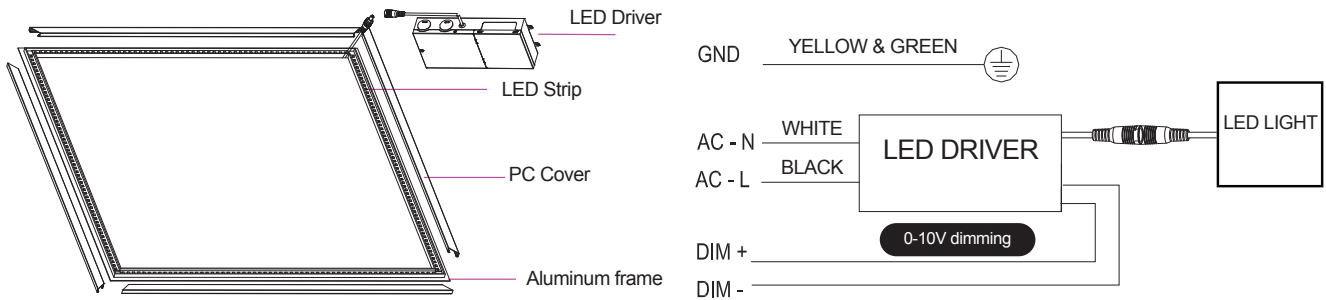
2.1 Place the driver on the adjacent tile, and connect the fixture to the driver using the quick connect.

2.2 Bring the incoming 120V AC to the driver: Black wire to AC-L connector, White wire to AC-N connector, and Green wire to green wire of the fixture. Replace the driver cover.

2.3 Replace the ceiling tile.

**NOTE:** the installation of these units should be carried out only by a licensed electrician.

**CAUTION:** Products should be installed in accordance with these instructions, current electrical codes and/or the current Canadian Electrical Code (CEC), or National Electrical Code (NEC).



## OPTIONAL:

**NOTE:** driver mount bracket (TLE-DM), and mounting clips (TLE-MC) are available (sold separately). Please check your local building codes, if these accessories are required.

