

CC-1-TF

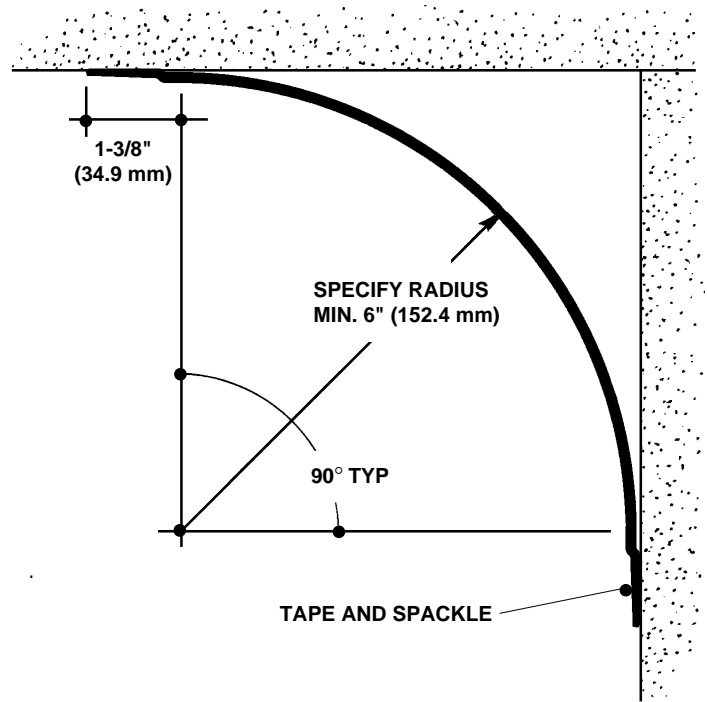
SINGLE RADIUS CEILING COVE

Specify as: Pittcon Drywall Molding

Model No. CC-1-TF Tangential Fin
 CC-1-PF Perpendicular Fin
 CC-1-PT One Perpendicular Fin
 & One Tangential Fin

Material: Aluminum alloy.....3003 H-14 or equal
 Finish.....Factory primed
 Metal thickness......090" typical

Other materials and finishes are available with some restrictions applying. Contact factory or your local Pittcon sales representative for details.

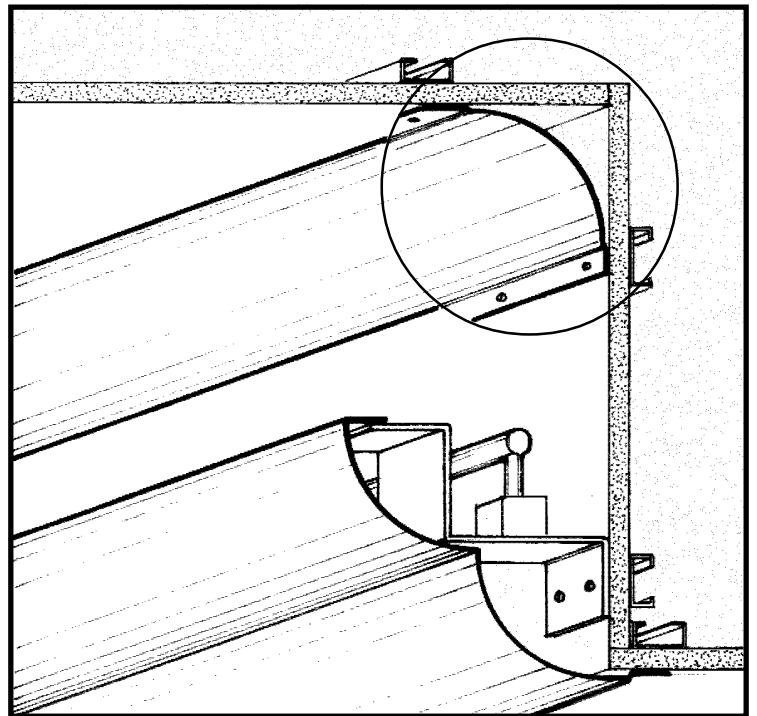
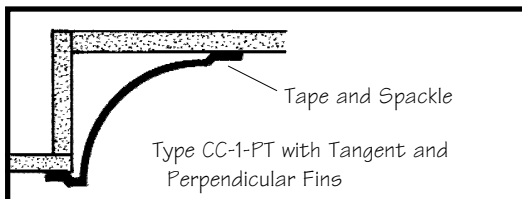
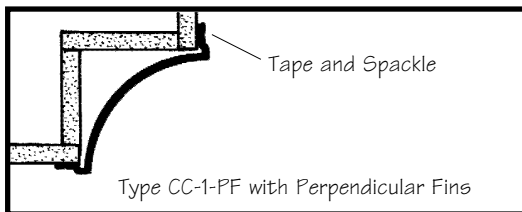
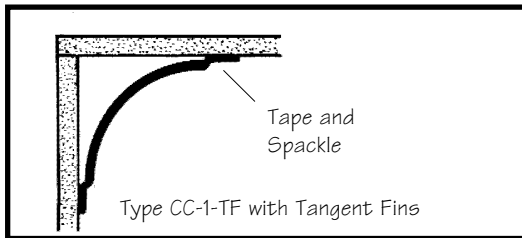


CC-1-TF

90° INSIDE CORNER COVE

NO SCALE

SECTION



© 2008 Pittcon Industries

West

2090 Del Rio Way, Unit B
 Ontario, CA 91761
 Phone: (909) 773-0001
 Fax: (909) 773-0091

3330 W. Flower Street
 Phoenix, AZ 85017
 Phone: (602) 233-9100
 Fax: (602) 233-9400

**Pittcon
 Industries**
 DIVISION OF PITTCO ARCHITECTURAL METALS, LLC

800 637-7638

East

6409 Rhode Island Ave.
 Riverdale, MD 20737
 Phone: (301) 927-1000
 Fax: (301) 699-8690

CC-1-TF

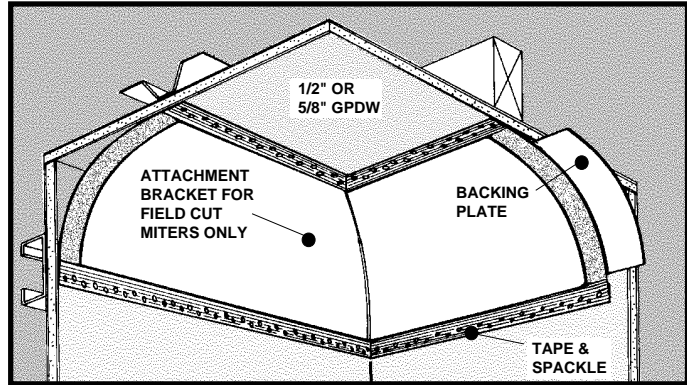
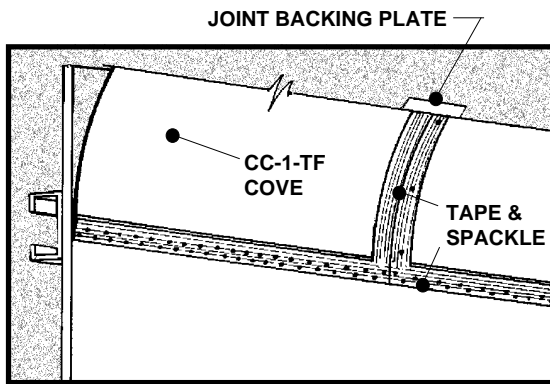
SINGLE RADIUS CEILING COVE

EXAMPLE DETAIL

For use with 1/2" or 5/8" GPDW ceilings.

The CC-1-TF is a large radius inside corner with tangential fins. It is designed for ceiling cove construction similar to that depicted here. All straight sections of cove are supplied in standard 10' lengths with custom sizes available. Each section is supplied with a loose joint backing plate for field joining. Factory welded mitered corners are available in either inside or outside configurations and are supplied with 2" x 2" ± legs. Each mitered corner comes with factory attached joint backing plates for easier attachment to straight lengths.

The CC-1-TF Ceiling Cove system is normally used as a reflector in conjunction with a lighting cove. It can be made in radii starting at 6", (smaller radii are available in standard SOFTFORMS extrusions) and going as large as 36" ±. Butt joints between sections need to be taped and spackled in order to achieve a seamless finish. When combined with our expanded line of Pittcon Light Coves, indirect lighting can take on a whole new dimension. Screws through the installation fins must always engage metal or wood substructure to ensure proper installation.



BACKING PLATE NOT SHOWN ON LEFT SIDE FOR CLARITY

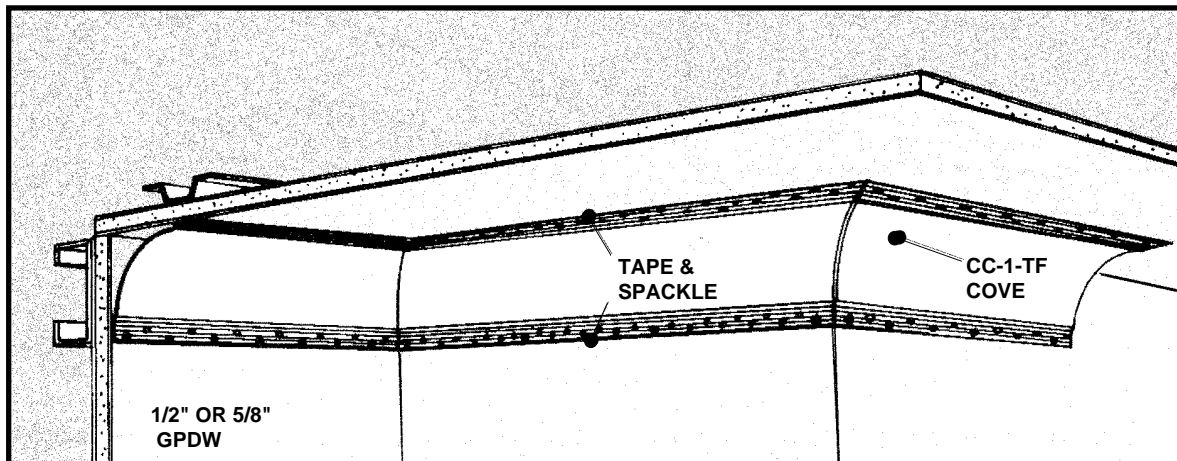
CC-1-TF
NO SCALE

FIELD CUT MITERED CORNER
PERSPECTIVE

CC-1-TF
NO SCALE

BUTT JOINT DETAIL
PERSPECTIVE

BOTH INSIDE AND OUTSIDE MITERED CORNER CONFIGURATIONS CAN BE FACTORY CUT TO FIT EXISTING FIELD CONDITIONS OR MAY BE CUT TO FIT IN THE FIELD.



CC-1-TF INSIDE AND OUTSIDE MITERED CORNERS
NO SCALE

TYPICAL
PERSPECTIVE