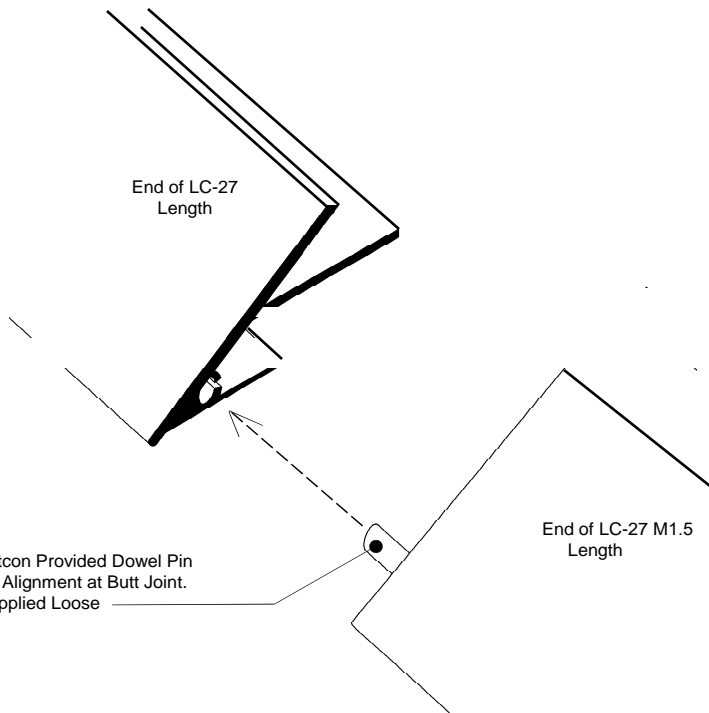
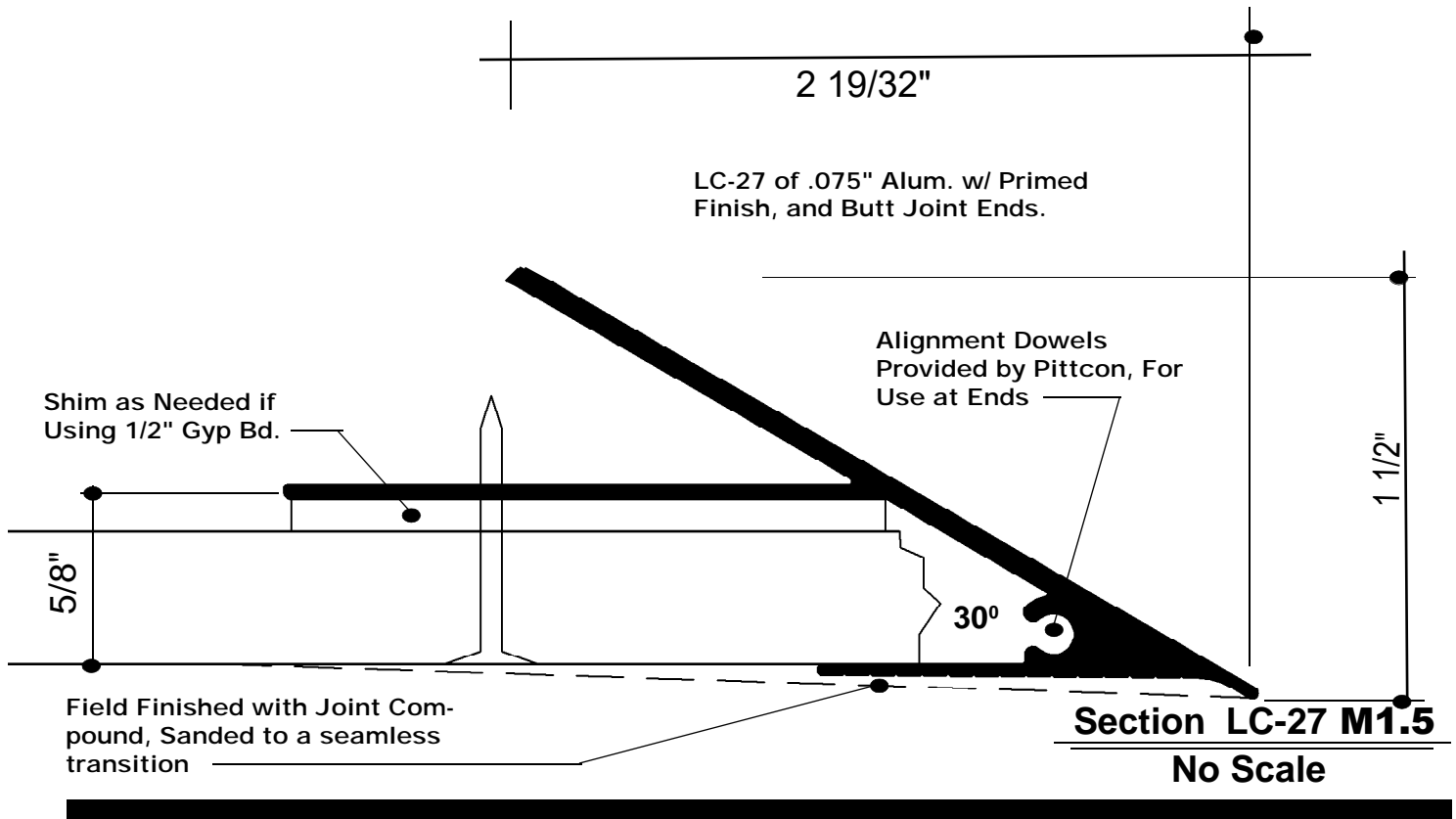


LC-27 M1.5

Extrude Light Cove- 30 Deg. Profile



SAMPLE SPECIFICATION

Specify as: PITTCON LIGHT COVE

Model # LC-27 1.5

Material: Aluminum alloy.....6063 T-5 or equal
Finish.....Factory primed
Metal thickness......070" typical

The formed aluminum profile shall incorporate a continuous integral fin for surface contact to conventionally installed gypsum drywall. The formed profile shall be primed with corrosion-resistant primer compatible with joint compound, latex and enamel paints, and wall covering adhesives.

Other materials and finishes are available with some restrictions applying, due to sconce and butt joint options. Contact factory or your local Pittcon sales representative for details.

All details, methods and specifications are the exclusive property of Pittcon Industries, Division of Pittcon Custom Corporation. Pittcon reserves the right to change any specifications or details without prior notification. All Light Cove profiles are available in standard 10' lengths $\pm 1/8"$ (2.048 M). Other lengths are available as special order items. For custom shapes, sizes, or for special finishes, please contact the factory or your nearest Pittcon sales representative.

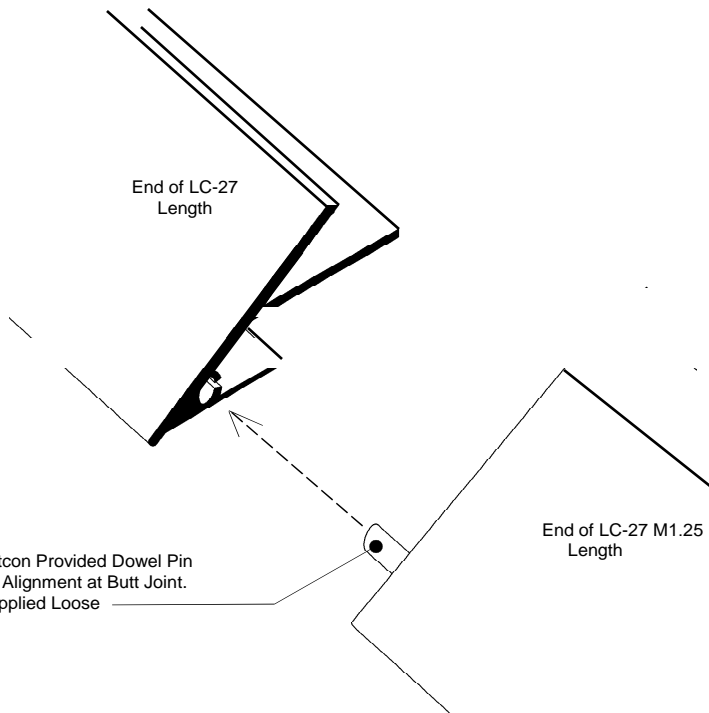
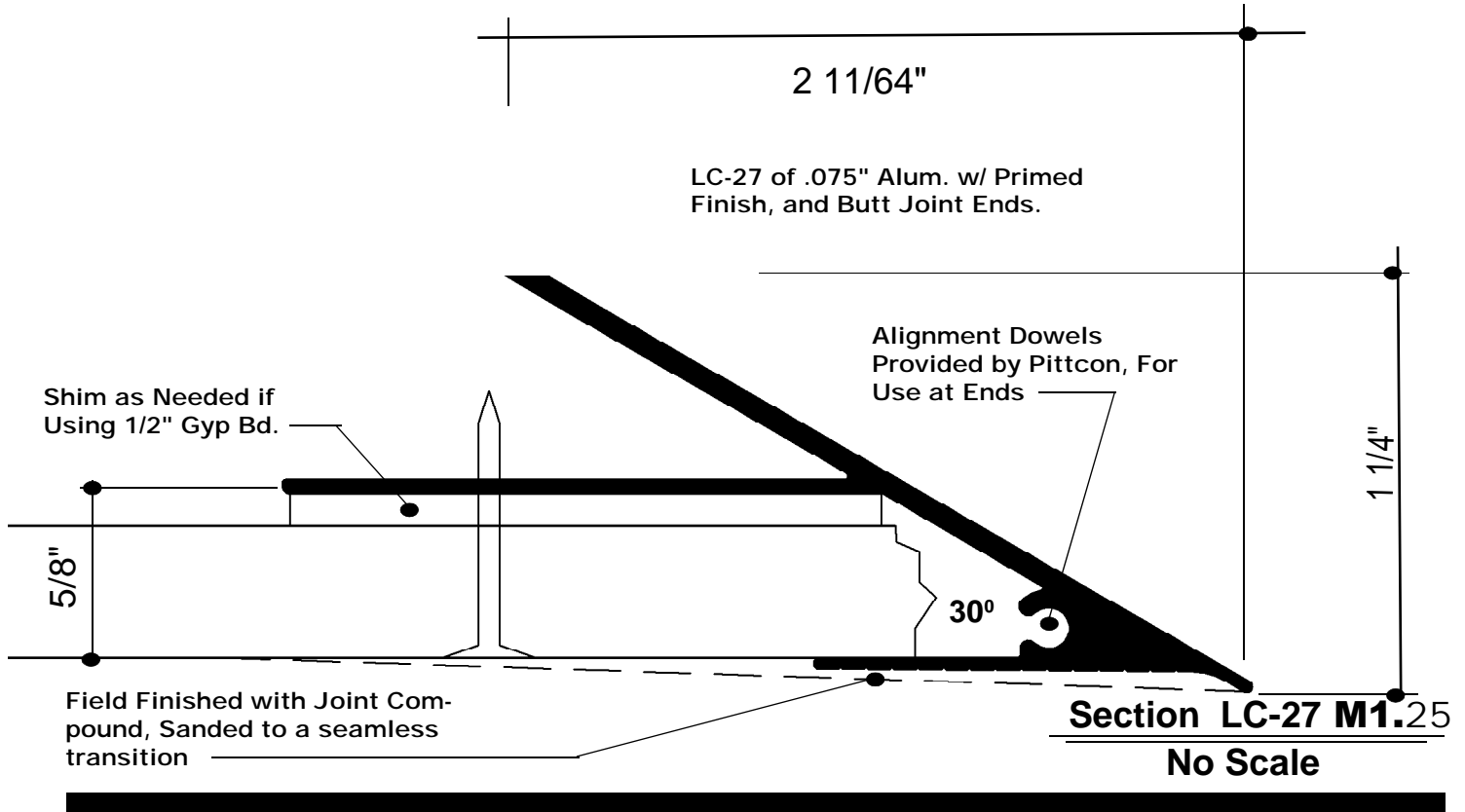
Pittcon Industries Division Pittcon Architectural Metals, LLC

6409 Rhode Island Avenue
Riverdale, Maryland 20737
(800) 637-7638 , (301) 927-1000
Fax: (301) 699-8690

Pittcon Industries

DIVISION OF PITTCON CUSTOM CORPORATION

LC-27 M1.25 Extrude Light Cove-30 Deg. Modified Profile



SAMPLE SPECIFICATION
Specify as: PITTCON LIGHT COVE

Model # LC-27 1.25

Material: Aluminum alloy.....6063 T-5 or equal
Finish.....Factory primed
Metal thickness......070" typical

The formed aluminum profile shall incorporate a continuous integral fin for surface contact to conventionally installed gypsum drywall. The formed profile shall be primed with corrosion-resistant primer compatible with joint compound, latex and enamel paints, and wall covering adhesives.

Other materials and finishes are available with some restrictions applying, due to scone and butt joint options. Contact factory or your local Pittcon sales representative for details.

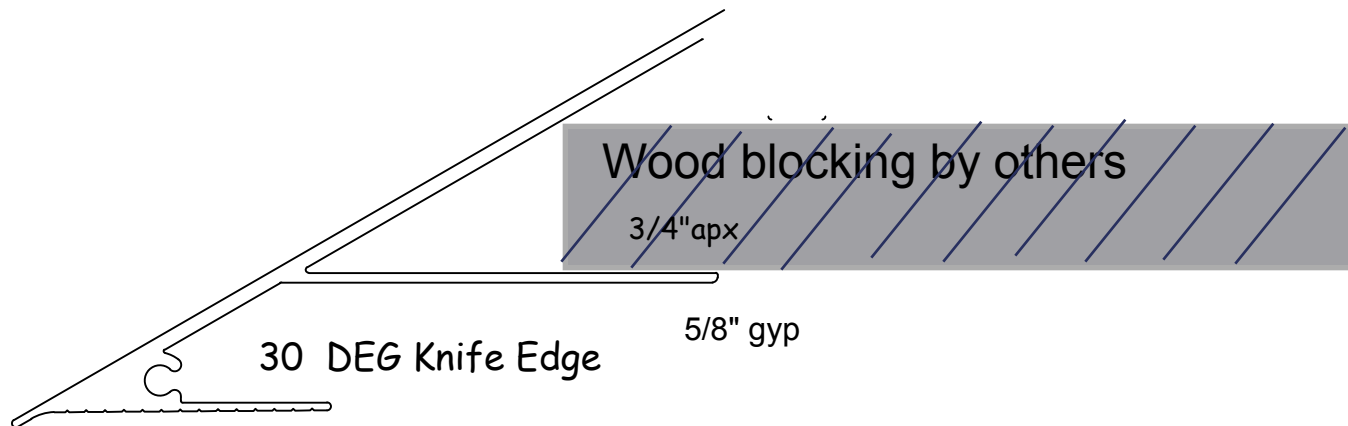
All details, methods and specifications are the exclusive property of Pittcon Industries, Division of Pittcon Custom Corporation. Pittcon reserves the right to change any specifications or details without prior notification. All Light Cove profiles are available in standard 10' lengths $\pm 1/8"$ (2.048 M). Other lengths are available as special order items. For custom shapes, sizes, or for special finishes, please contact the factory or your nearest Pittcon sales representative.

Pittcon Industries Division Pittcon Architectural Metals, LLC

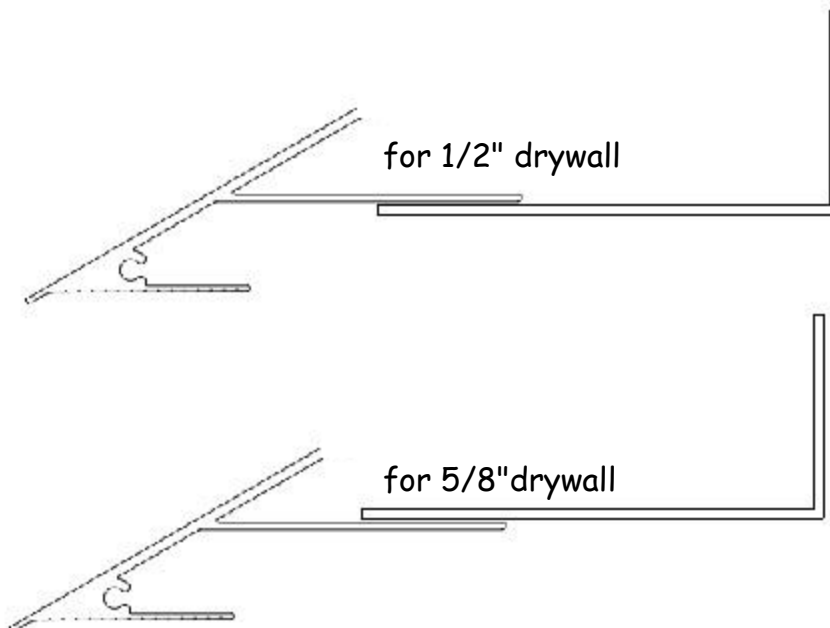
6409 Rhode Island Avenue
Riverdale, Maryland 20737
(800) 637-7638 , (301) 927-1000
Fax: (301) 699-8690

**Pittcon
Industries**

DIVISION OF PITTCON CUSTOM CORPORATION



Below - Alternate to wood blocking
 1/8" angle can be supplied by Pittcon or by others as an accessory.
 2 1/2" wide brakets for 18" OC.



**Pittcon
 Industries**

6409 Rhode Island Ave.
 Riverdale, MD 20737
 Phone: (301)927-1000
 Fax: (301)699-8690
 support@pittconindustries.com
 www.pittconindustries.com

LC-27